

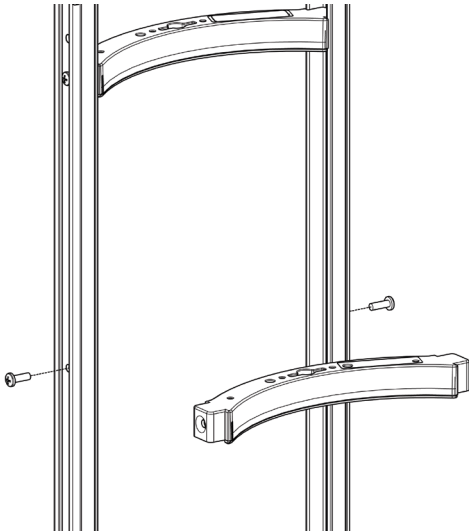
SLIDING KEG HOOK ASSEMBLY INSTRUCTIONS

TOOLS REQUIRED

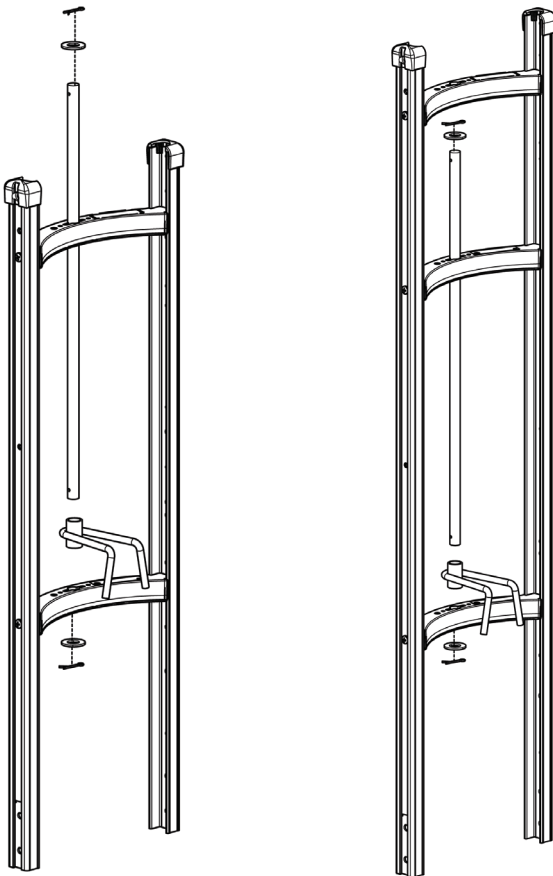
- (1) #3 PHILLIPS SCREWDRIVER
- (1) PAIR PLIERS

HERRAMIENTAS NECESARIAS

- (1) DESATORNILLADOR DE CABEZA PHILLIPS
- (1) ALICATES



1. Remove one cross brace from the frame.
 - a. For 39" tall frames, remove middle cross brace.
 - b. For 52" tall frames, remove third cross brace from the top.



2. Install the rod, hook and hardware components in the order shown on the left.
3. Be sure to bend the ends of the cotter pins outward by 90 degrees.