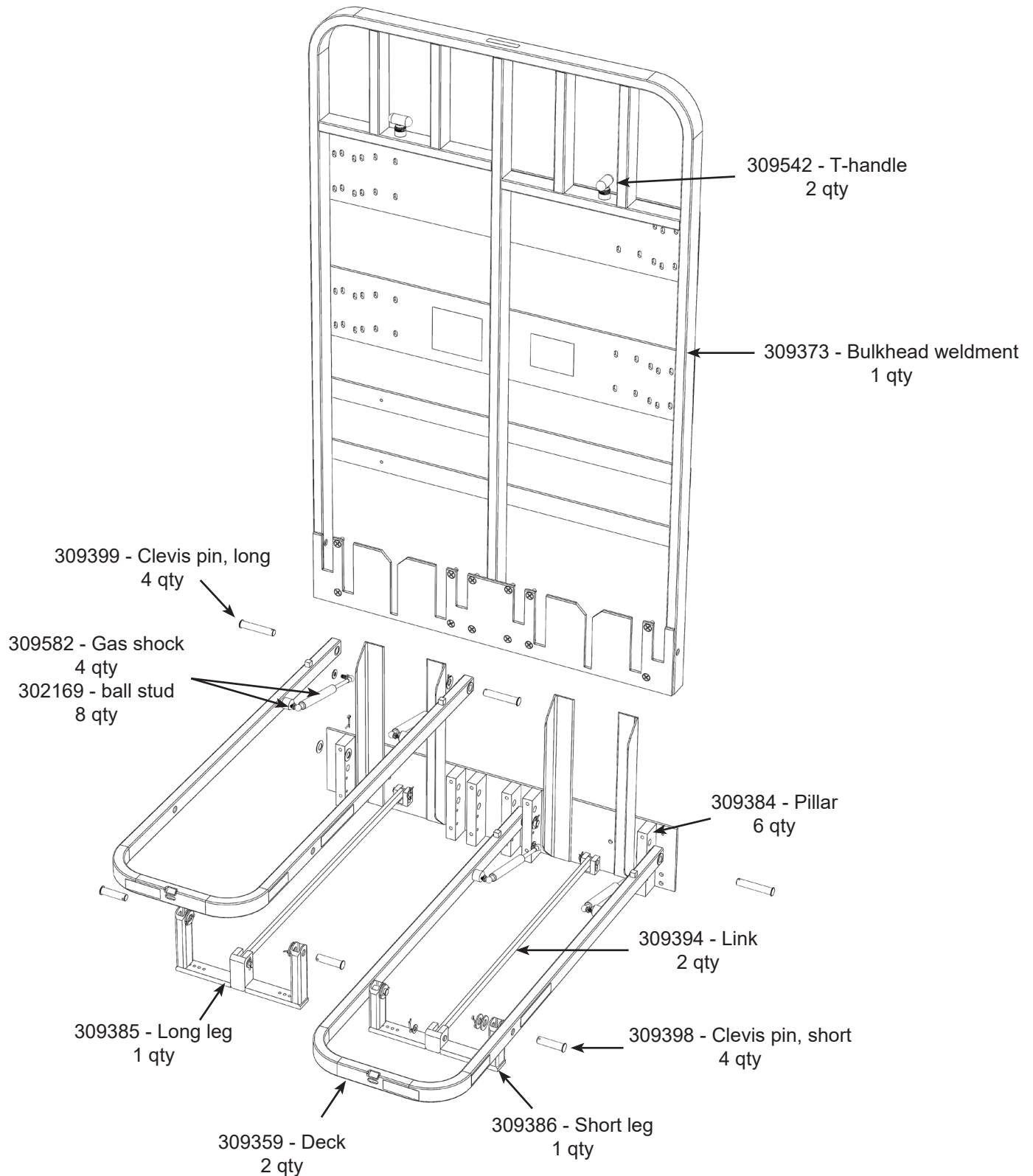
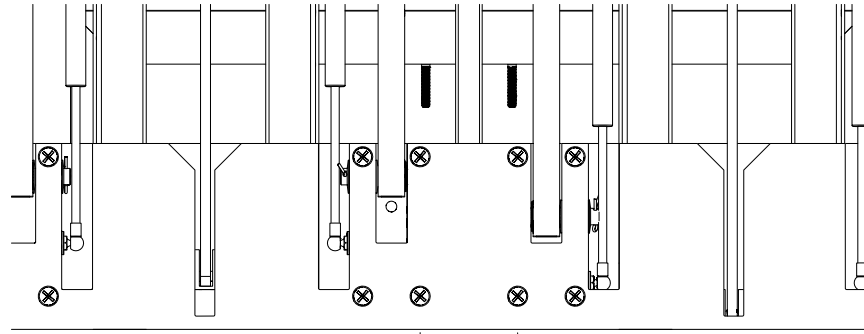


Parts Diagram for the Magliner Collapsible Pallet Picking Adapter

Main Assembly (all models)

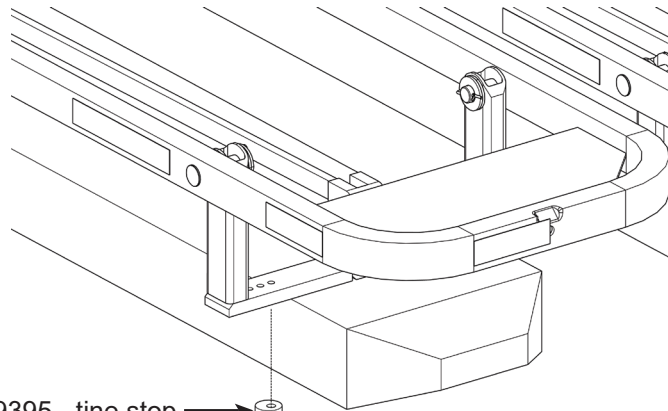


Tine Spacer (all models)



- 309652 - Tine spacer (Crown and Caterpillar) →
- 309653 - Tine spacer (Toyota)
1 qty
- 80701 - Washer - 5/16" - 2 qty
- 80010 - Hex head cap screw
- 5/16"-18 x 3/4" long - 2 qty

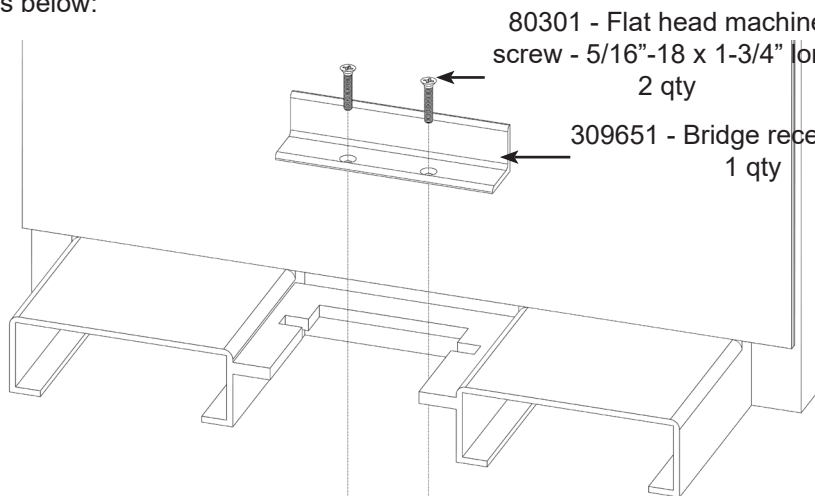
Tine Stops (all models)



- 309395 - tine stop →
4 qty
- 80130 - Hex socket head cap screw -
5/16"-18 x 1-1/2" long
4 qty

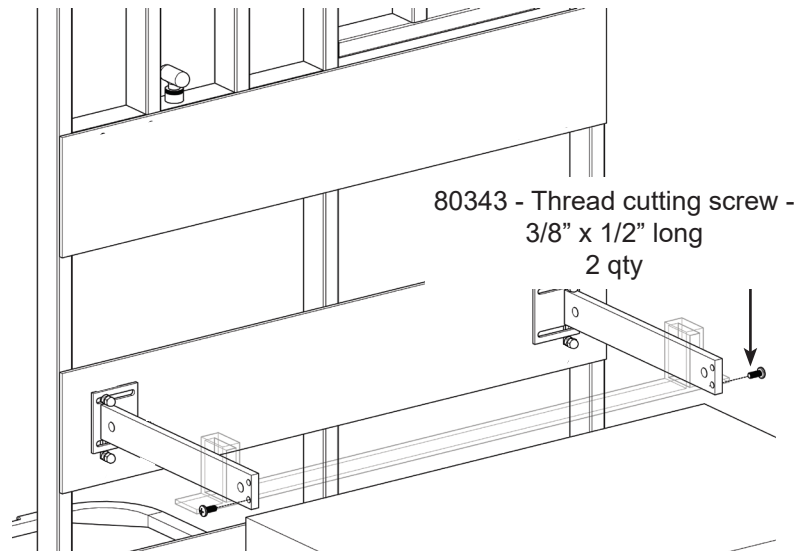
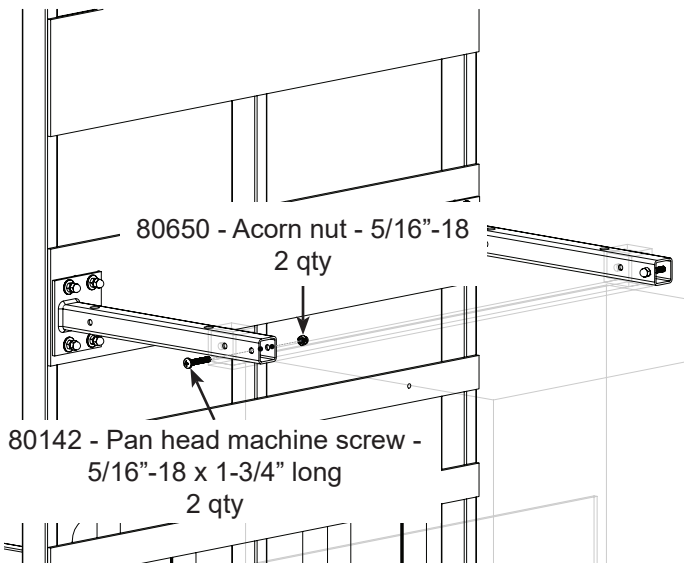
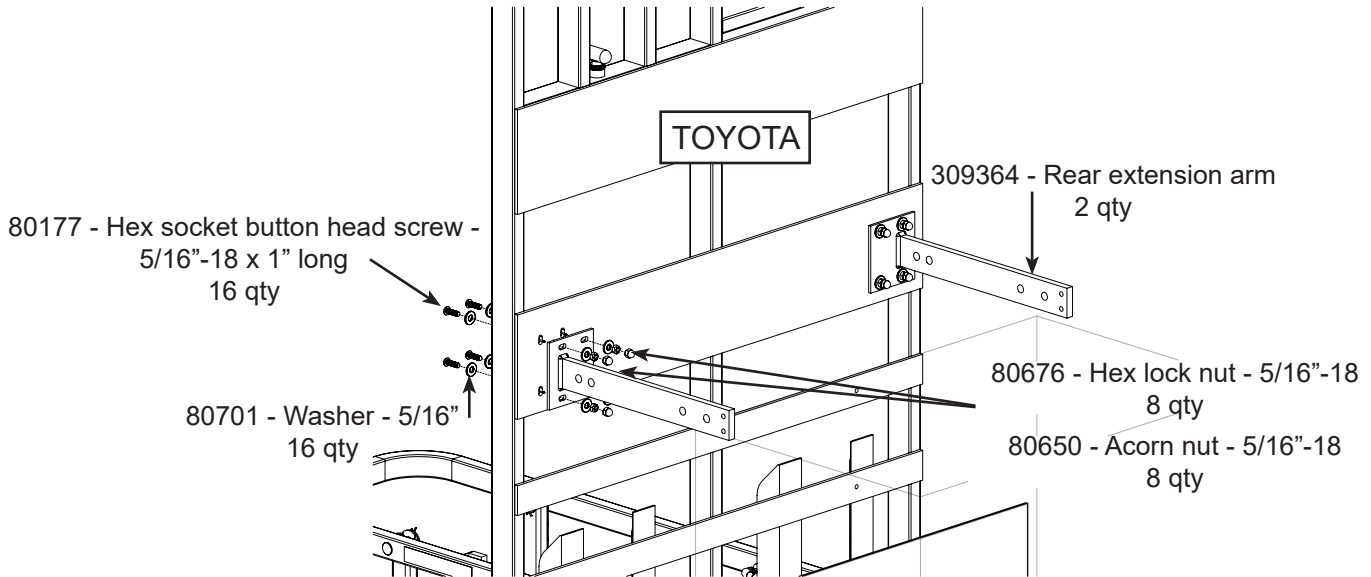
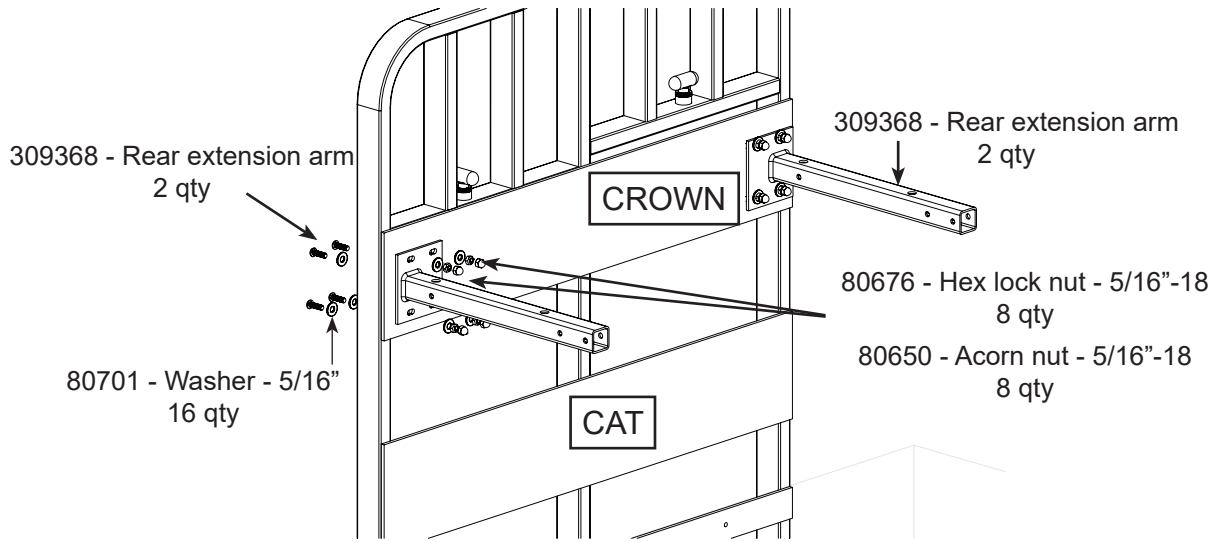
Toyota Bridge Receiver

309646 kit contains all parts below:

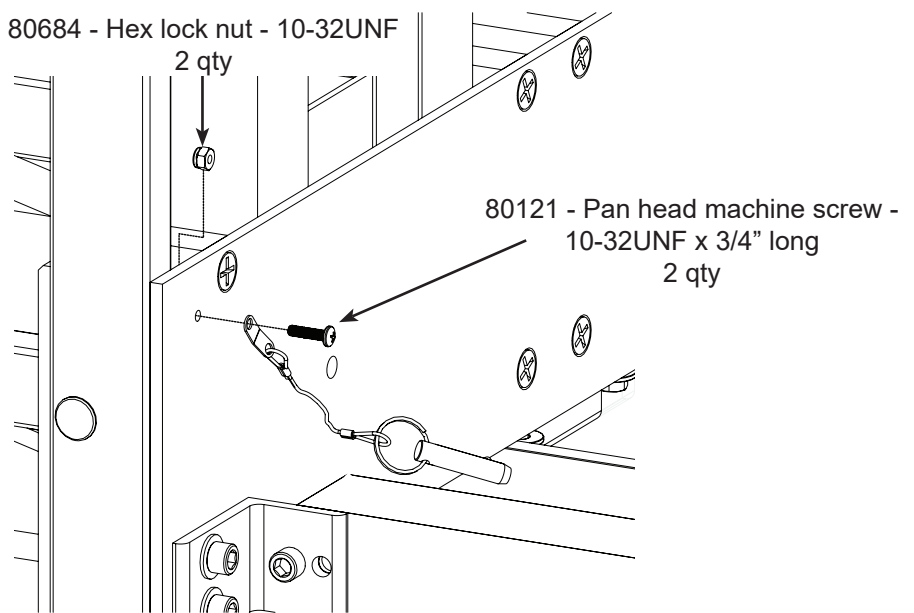
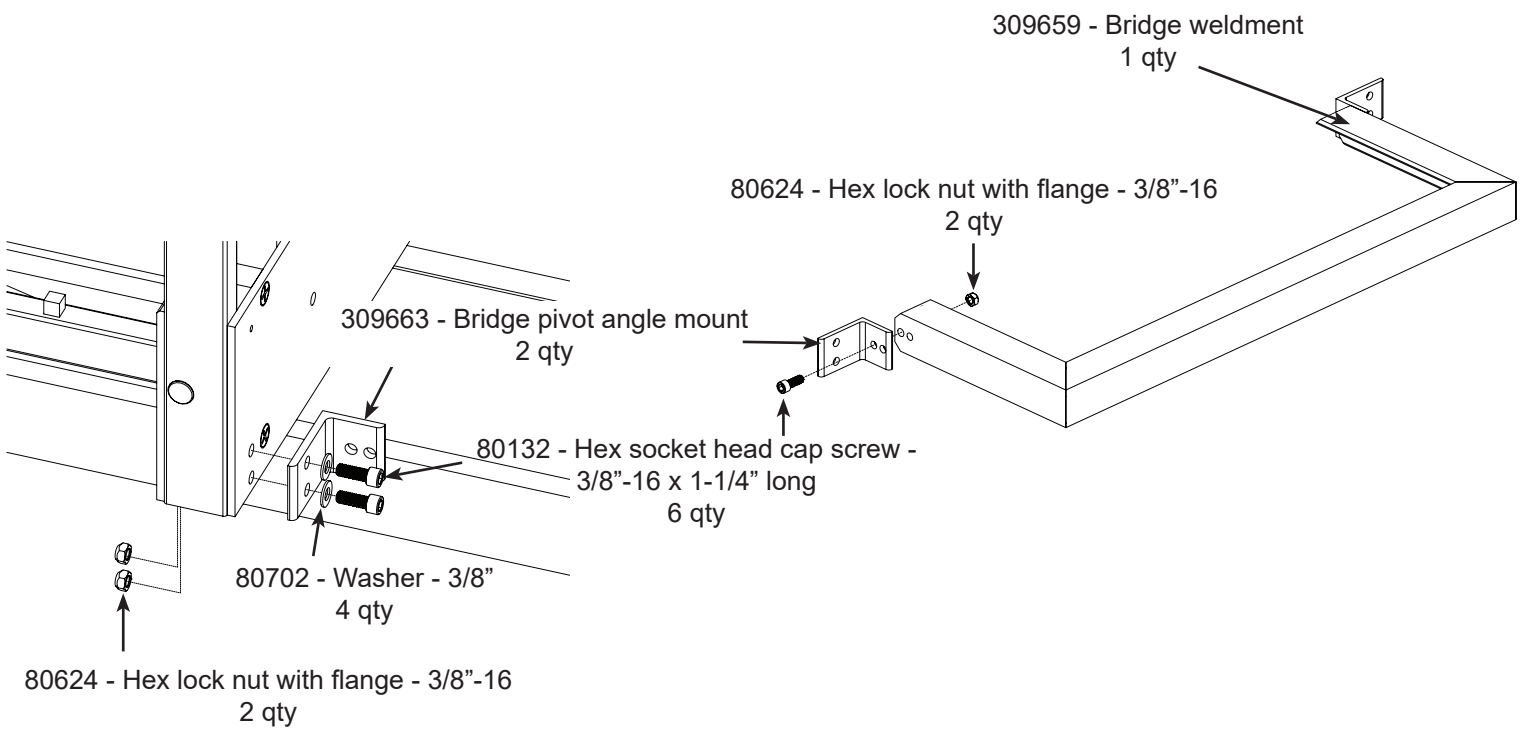


- 80301 - Flat head machine
screw - 5/16"-18 x 1-3/4" long
2 qty
- 309651 - Bridge receiver angle
1 qty
- 309647 - Bridge receiver weldment
1 qty
- 80676 - Hex lock nut - 5/16"-18
2 qty

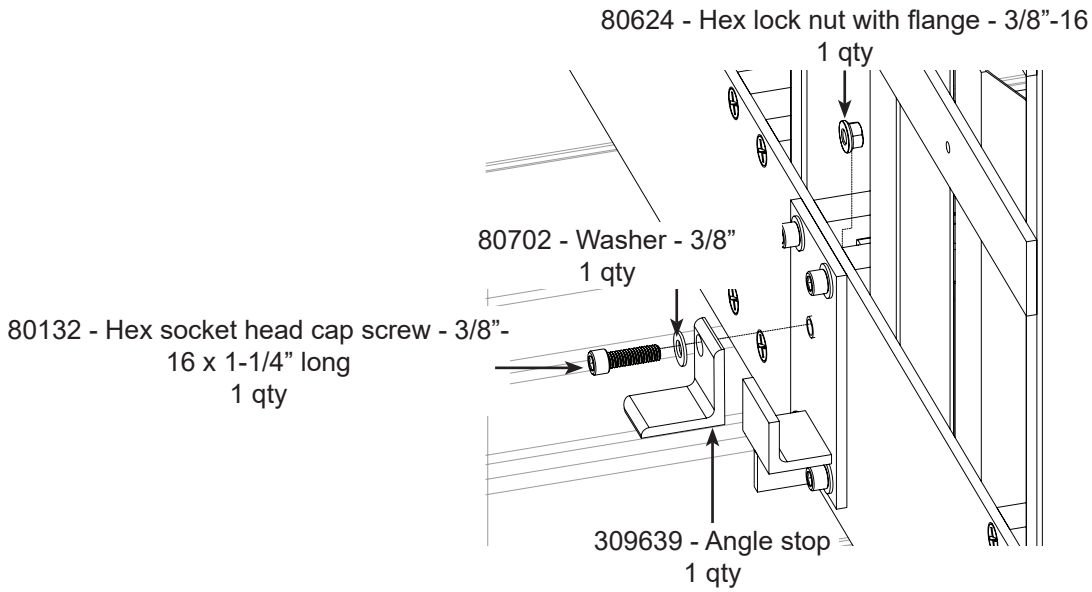
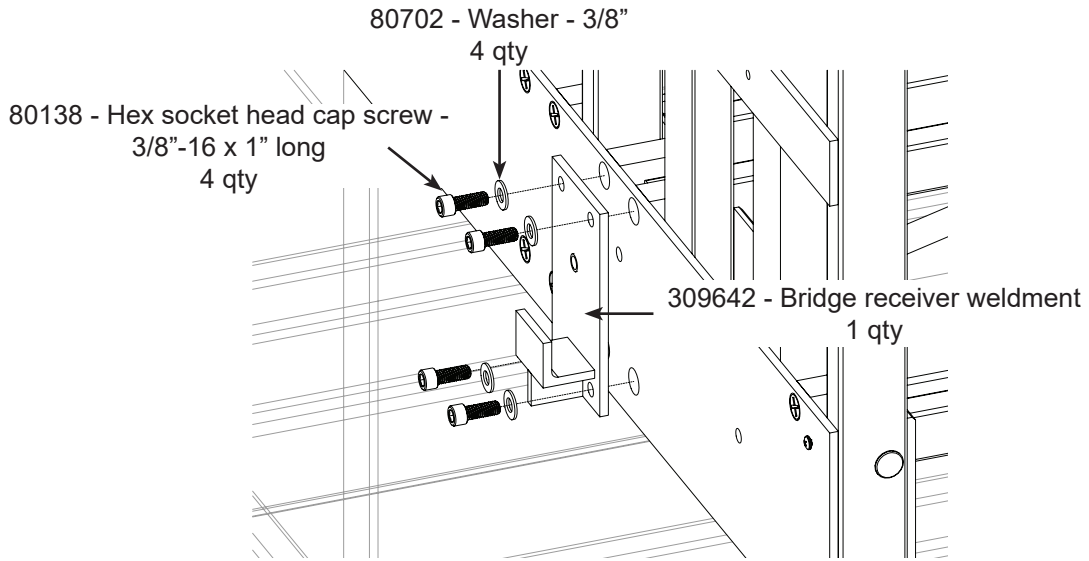
Rear Extension Arms (all models)



Bridge (Crown and Toyota models)



Caterpillar Bridge Receiver
309641 kit contains all parts below:



Please follow the reminder labels found on your Collapsible Picking Adapter

Coolift[®] Pallet Adapter

MAGLINER[®]
1-800-MAGLINE (624-5463)
www.magliner.com

Serial No.
12345

MAGLINER[®]

Coolift[®] Picking Adapter

For walkie riders ONLY - Do not use with fork trucks or pallet jacks

Fork length and pallet size compatibility:

Fork Length	43 inch pallet	48 inch pallet	53 inch pallet
36"	X	X	Do not use
42"	X	X	X

Maximum load: Using two 43" pallets – 2,400 lbs.
Using two 48" pallets – 2,700 lbs.
Using two 53" pallets – 3,000 lbs.

1205 West Cedar Street, Standish, MI 48658
(800) 624-5463 • www.magliner.com

U.S. Patent Pending

WARNING:

- Verify compatibility with your walkie rider manufacturer.
- Secure unit to walkie rider per Magline, Inc. approved methods. Refer to the assembly instructions for proper installation.
- Check the overall condition and fastening of the unit before each use.
- When transporting loads keep tines as low to the ground as possible.
- Do not exceed capacity of walkie rider, pallet or adapter.

LIFT HERE

WARNING  **Keep hands and feet clear of linkage system while lifting/lowering**