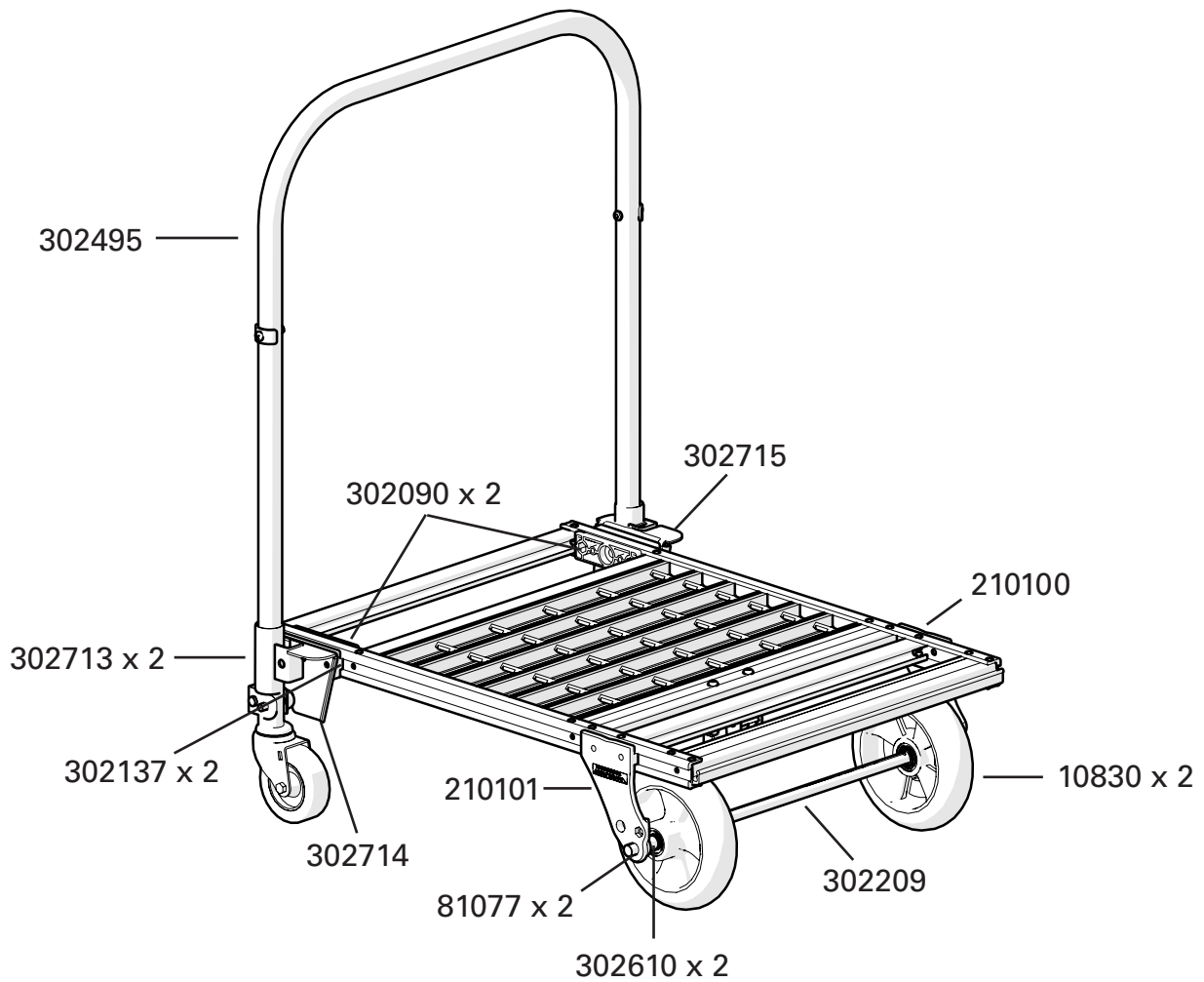


SIX-WHEEL FOLDING PLATFORM TRUCK

MT1TA

BASE UNIT - MT-TA

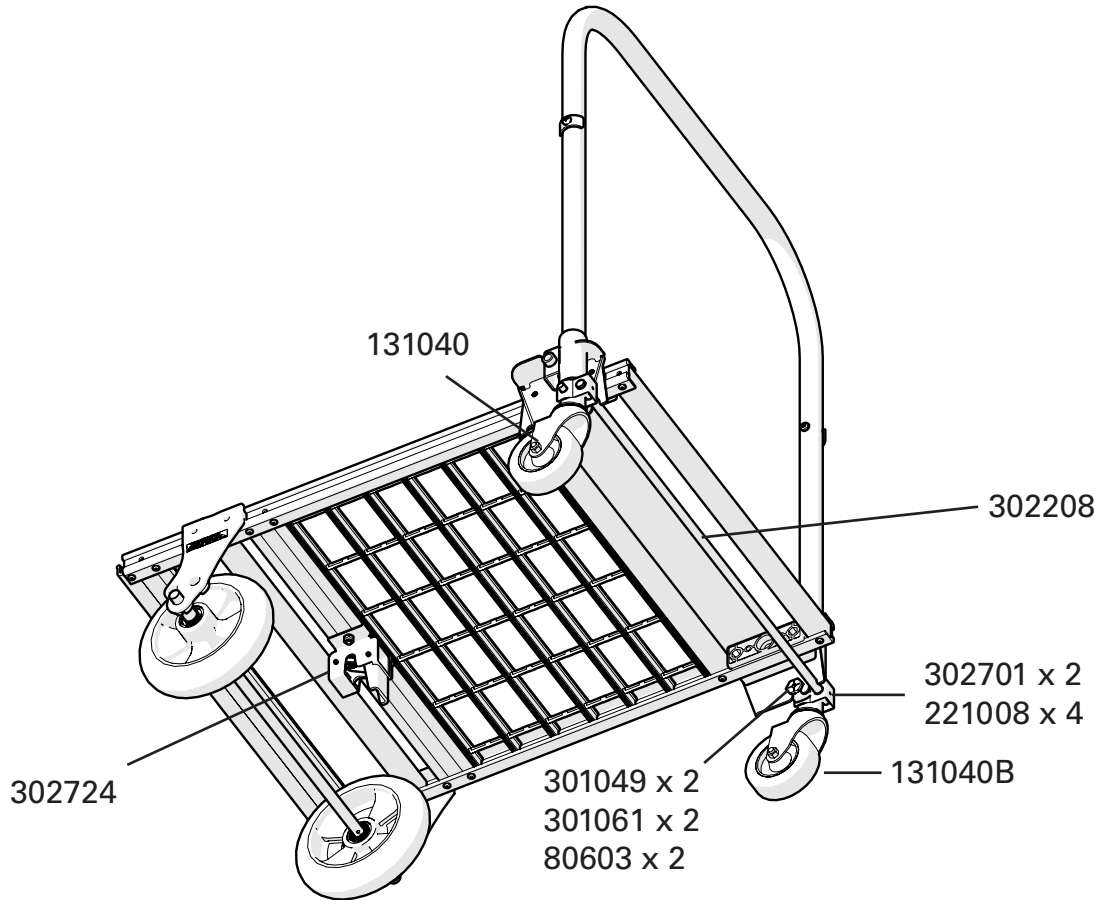


Description	Part Number
Handle assembly	302495
Handle plate - RH	302714
Handle plate - LH	302715
Pivot socket	302713
Frame spacer	302090
Filler block	302137
Wheel bracket - RH	210100
Wheel bracket - LH	210101
Wheel - 8" x 2" balloon cushion	10830
Axle spacer	302610
Axle - 24-7/8"	302209
Axle roll pin (not shown - one is found just inside each wheel)	190104
Cotter pin - 1/8" x 1" long	81077

TOOLS REQUIRED

Quantities listed are per truck.

BASE UNIT - MT-TA (BOTTOM VIEW)

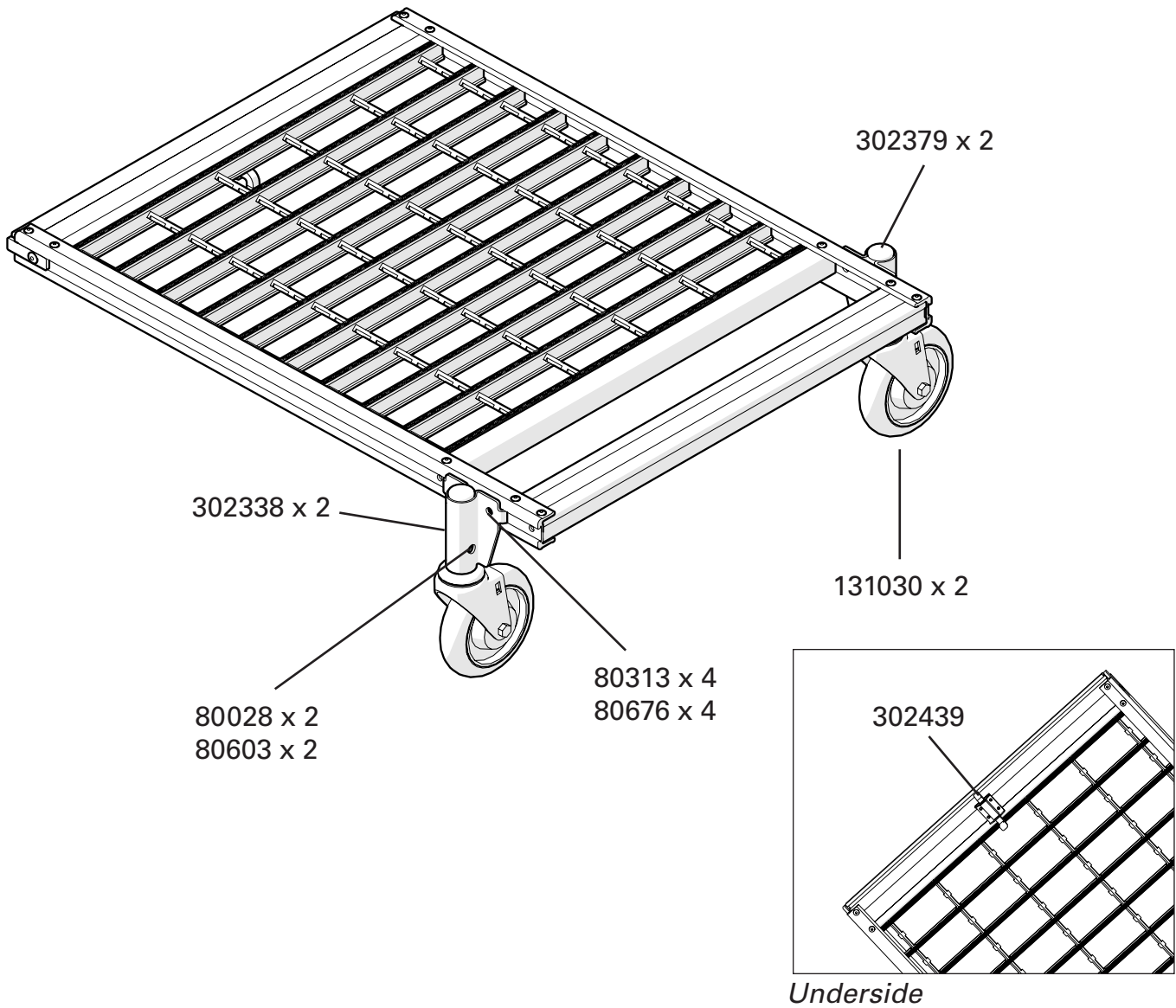


Description	Part Number
Caster - 4" x 1-1/4" grayTPR	131040
Caster - 4" x 1-1/4" grayTPR with brake	131040B
Latch and lock assembly	302724
Load bolt	301049
Load support bolt spacer	301061
Hex lock nut - 3/8"-16	80603
Axle spreader	302208
Spreader bracket	302701
Snap ring	221008

TOOLS REQUIRED

Quantities listed are per truck.

EXTENSION - ME



Description	Part Number
Caster - 5" x 1-1/4" gray thermoplastic rubber	131030
Caster mounting bracket	302338
Hex head cap screw - 3/8"-16 x 1-3/4" long	80028
Hex lock nut - 3/8"-16	80603
Pan head cross-recess screw - 5/16"18 x 1" long	80313
Hex lock nut - 5/16"-18	80676

Quantities listed are per truck.

TOOLS REQUIRED

Magline, Inc.
 1205 W. Cedar Street • Standish, MI 48658 USA
 1-800-MAGLINE (624-5463) • (989) 512-1000 (outside U.S. & Canada)

