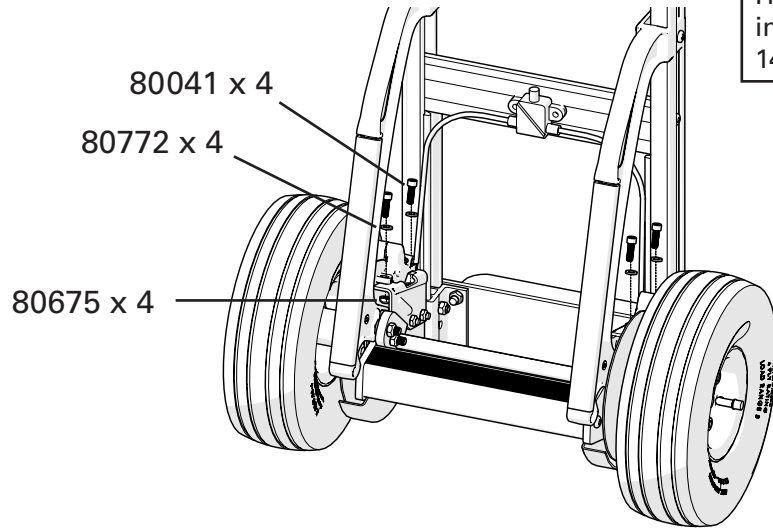


HYDRAULIC BRAKE TRUCK PARTS DIAGRAM
(MODELS WITH SINGLE AXLE)

WHEELS AND CALIPERS



Hardware torque values: Use 50-60 inch lbs. torque for 1/4" bolts, and 120-140 inch lbs. torque for 5/16" bolts.

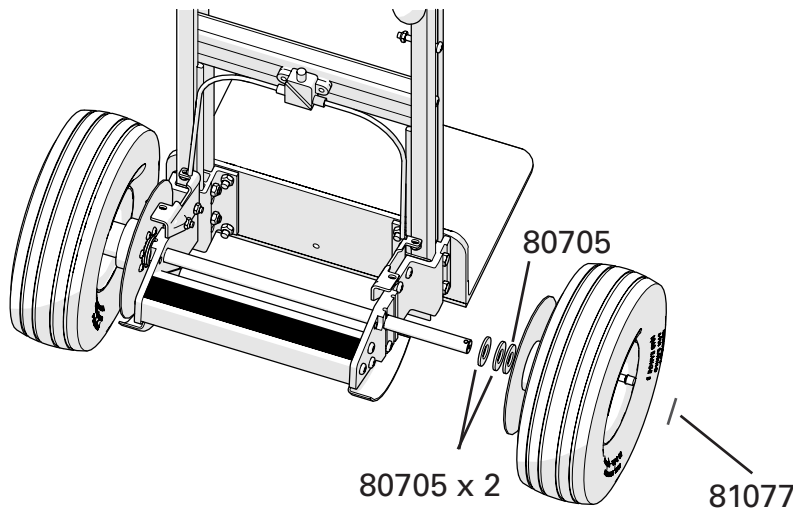
| Description | Part Number |
|--|-------------|
| Socket head hex screw - 1/4"-20 x 3/4" long | 80041 |
| Flat washer - 6mm | 80772 |
| Hex lock nut - 1/4"-20 | 80675 |
| Hydraulic brake line assembly, pre-bled (includes brake reservoir, brake lines, calipers and pads) | 304225 |
| Brake pads (pair) | 304238 |

TOOLS REQUIRED

- (1) 3/16" ALLEN WRENCH
- (1) 7/16" COMBINATION WRENCH OR SOCKET

Quantities listed are per side.

Please note that if the calipers are removed, they will need to be reset before mounting.



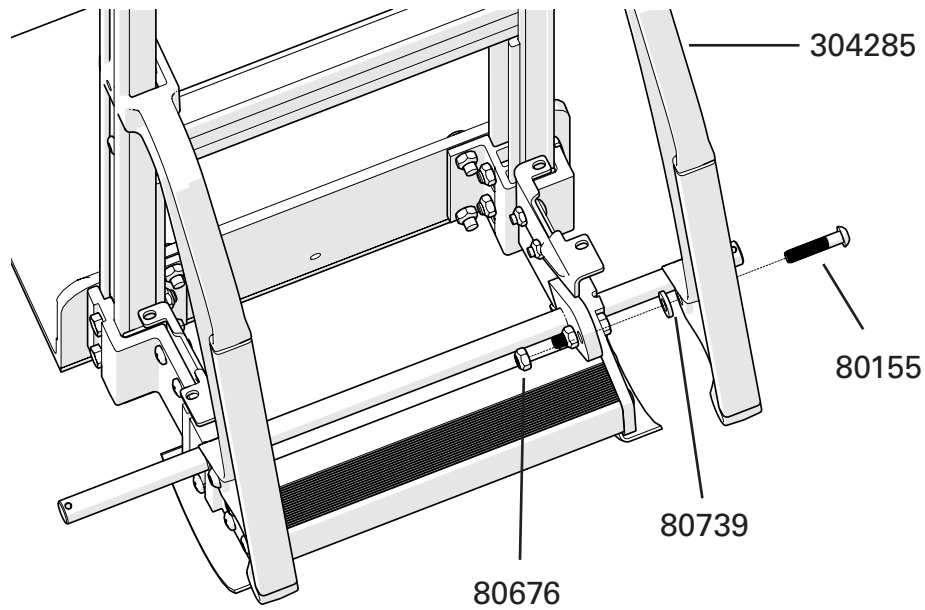
| Description | Part Number |
|------------------------------|-------------|
| Wheel with hub/disc assembly | Varies |
| Cotter pin - 1/8" x 1" long | 81077 |
| Flat washer - thick | 80705 |
| Flat washer - thin | 80707 |

TOOLS REQUIRED

- (1) PLIERS

Quantities listed are per side. Please note your wheel/washer assembly configuration may be different than what is shown.

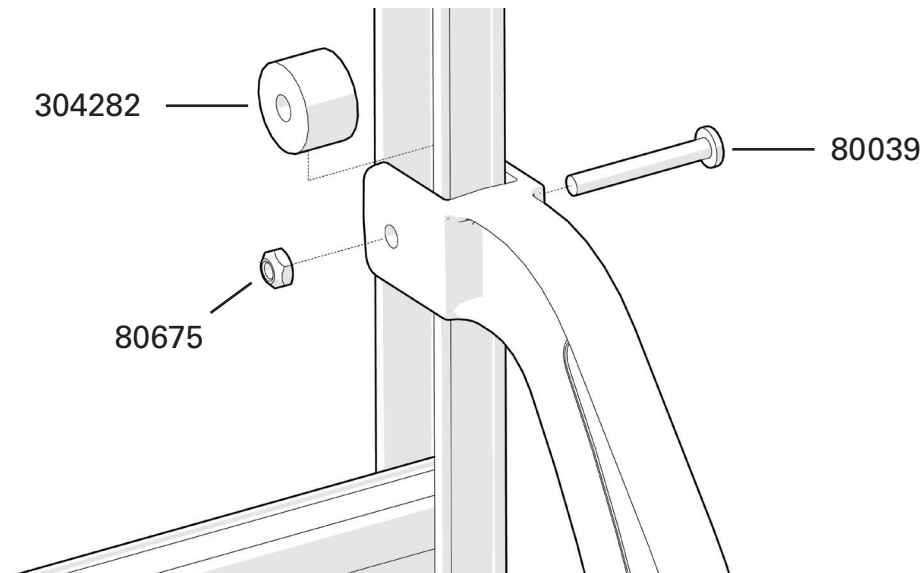
C5 STAIR CLIMBERS



| Description | Part Number |
|--|-------------|
| C5 stair climber for Hydraulic Brake Truck | 304285 |
| Button hex socket screw - 5/16"-18 x 1-1/2" long | 80155 |
| Washer - 5/16" | 80739 |
| Hex lock nut - 5/16"-18 | 80676 |

TOOLS REQUIRED

- (1) 7/16" COMBINATION WRENCH OR SOCKET
- (1) TORQ BIT SCREWDRIVER

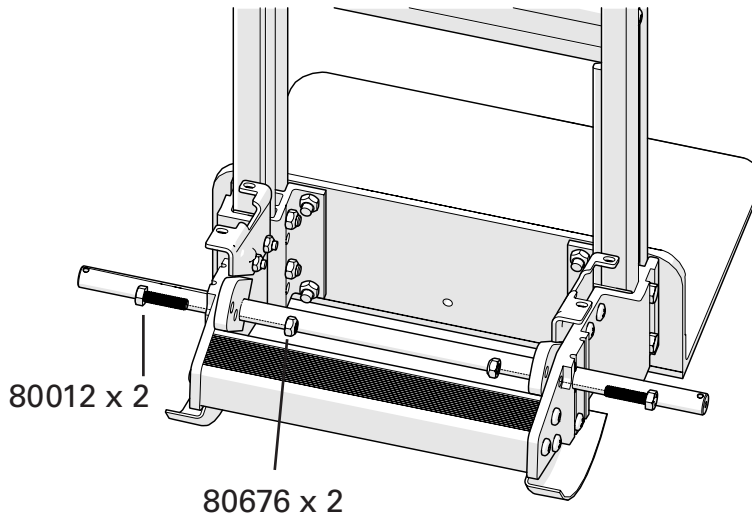


| Description | Part Number |
|--|-------------|
| Frame spacer for C5 stair climber | 304282 |
| Pan head machine screw - 1/4"-20 x 1-7/8" long | 80039 |
| Hex lock nut - 1/4"-20 | 80675 |

TOOLS REQUIRED

- (1) 7/16" COMBINATION WRENCH OR SOCKET
- (1) #3 SCREWDRIVER

LOWER ASSEMBLIES

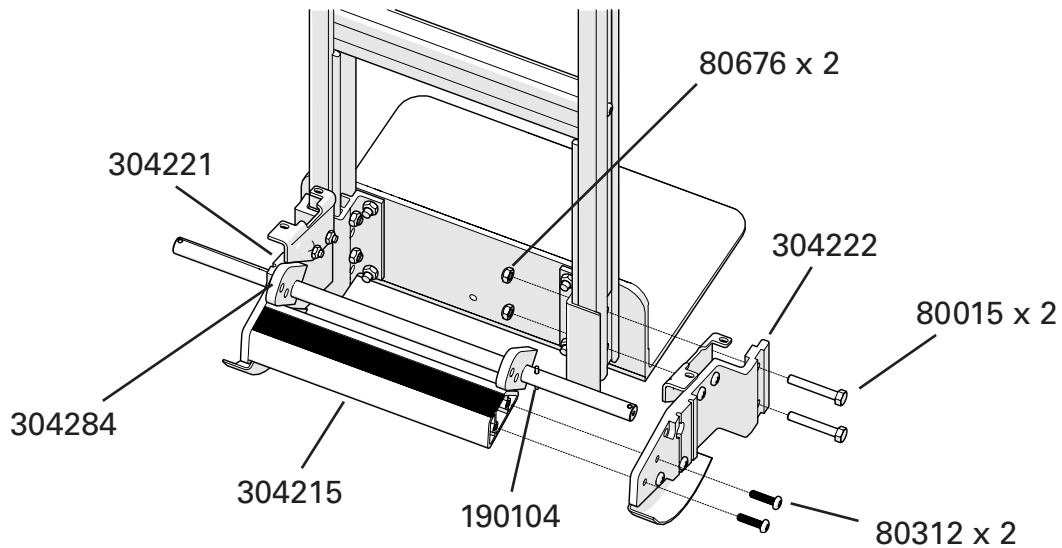


| Description | Part Number |
|---|-------------|
| Hex head cap screw - 5/16"-18 x 1-1/4" long | 80012 |
| Hex lock nut - 5/16"-18 | 80676 |

TOOLS REQUIRED

- (2) 1/2" COMBINATION WRENCHES OR SOCKETS

Quantities listed are total per area.

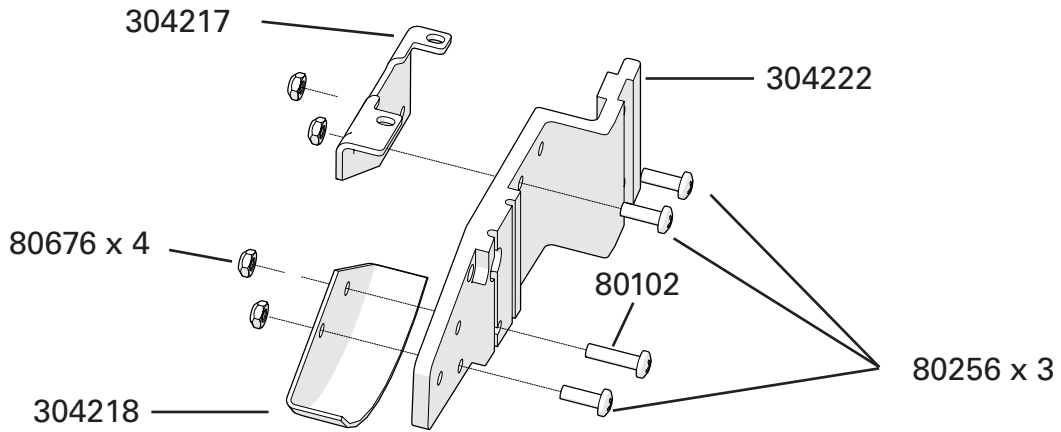


| Description | Part Number |
|---|-------------|
| Wheel bracket for hydraulic brake truck, LH | 304221 |
| Wheel bracket for hydraulic brake truck, RH | 304222 |
| Axle roll pin - 1/8" x 1-1/8" long | 190104 |
| Hex head cap screw - 5/16"-18 x 2" long | 80015 |
| Axle - 18.625" long, stress proof | 22154 |
| Hex lock nut - 5/16"-18 | 80676 |
| Pan head thread forming screw - 1/4"-20 x 1" long | 80312 |
| Kickbar | 304215 |
| Lower bracket for C5 stair climber | 304284 |

TOOLS REQUIRED

- (1) TORQ BIT SCREWDRIVER
- (2) 1/2" COMBINATION WRENCHES OR SOCKETS
- (1) HAMMER
- (1) PLIERS

Quantities listed are per side.



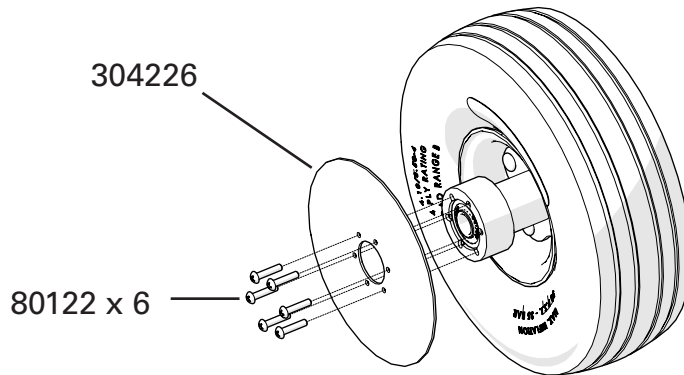
| Description | Part Number |
|--|-------------|
| Wheel bracket for hydraulic brake truck, RH | 304222 |
| Caliper mount bracket - RH | 304217 |
| Caliper mount bracket - LH (not shown) | 304216 |
| Brake disc guard | 304218 |
| Pan head machine screw - 1/4"-20 x 3/4" long | 80256 |
| Pan head machine screw - 1/4"-20 x 2-1/2" long | 80102 |
| Hex lock nut - 1/4"-20 | 80675 |

TOOLS REQUIRED

- (1) 1/2" COMBINATION WRENCH OR SOCKET
- (1) #3 SCREWDRIVER

Quantities listed are per side.

WHEEL/HUB ASSEMBLY



| Description | Part Number |
|---|-------------|
| Wheel/hub assembly | See Chart |
| Brake disc | 304226 |
| Round head machine screw - 10-32 x .875" long | 80122 |

TOOLS REQUIRED

- (1) #2 SCREWDRIVER

| Whee/Hub Assembly Description | Part Number |
|---|-------------|
| 1060 4-Ply pneumatic - 10" x 3-1/2" | 304227 |
| 1065 Gray 4-ply pneumatic - 10" x 3-1/2" | 304259 |
| 1050 microcellular foam, steel hub - 10" x 3-1/2" | 304267 |
| 1080 microcellular foam, HDPE hub - 10" x 3-1/2" | 304261 |
| 1070 microcellular foam, HDPE hub - 10" x 2" | 304263 |
| 1075 microcellular foam, HDPE hub - 10" x 2-3/4" | 304265 |

OPTIONS AND ACCESSORIES

| Description | Part Number |
|--|-------------|
| No. 9 straight back frame with 2-1/8" cross braces - 60" tall | 304235 |
| C straight back frame with 2-1/8" cross braces - 39" tall | 302653 |
| Vertical strap kit for C frame, 39" | 86350 |
| Vertical strap kit for 9 frame, 60" | 86361 |
| B1 - Adjustable vertical loop; for 304235 #9 frame only | 304200 |
| B2- Adjustable ergo loop; for 304235 #9 frame only | 304205 |
| B3 - Adjustable shepherd hook - (2 required per truck); for 304235 #9 frame only | 304210 |
| B4 - Adjustable double pistol grip; for 304235 #9 frame only | 304245 |
| Mounting bracket for B1, B2, B3 and B4 handles | 304239 |
| Top ergo handle; for 304235 #9 frame only | 304251 |
| No. 19 U loop handle with vinyl sleeve; for 302653 C frame only | 301272 |
| No. 22 U loop handle with vinyl sleeve and U brace; for 302653 C frame only | 304280 |
| No. 13C straight loop with cross brace and single pin - 60"; for 302653 C frame only | 304272 |
| No. 16 flared double pistol grip complete with grips and U brace; for 302653 C frame only | 86031 |
| No. 15A vertical loop - 52" for 302653 C frame only | 300987 |
| No. 15C vertical loop - 60" for 302653 C frame only | 300978 |
| AA die cast aluminum - 14" x 7-1/2" | 300200 |
| AM die cast magnesium - 14" x 7-1/2" | 300204 |
| HM die cast magnesium - 14" x 12" | 300197 |
| UA die cast aluminum - 18" x 7-1/2" | 300201 |
| UM die cast magnesium - 18" x 7-1/2" | 300205 |
| E1 extruded aluminum with cutout - 14" x 9" flush mount only on brake truck | 300244 |
| E2 extruded aluminum without cutout - 14" x 9" flush mount only | 300254 |
| G1 extruded aluminum with cutout - 18" x 9" flush mount only on brake truck | 300245 |
| G2 extruded aluminum without cutout - 18" x 9" flush mount only | 300248 |
| E3 steel with cutout - 14" x 7-1/2" recessed, 14" x 9" flush mount | 300544 |
| E4 steel without cutout - 14" x 9" flush mount only | 300554 |
| G3 steel with cutout - 18" x 7-1/2" recessed, 18" x 9" flush mount | 300545 |
| G4 steel without cutout - 18" x 9" flush mount only | 300548 |
| K1 extruded aluminum - 16" x 12" flush mount only | 300203 |
| K2 extruded aluminum - 20" x 12" flush mount only | 300215 |
| Mounting bracket kit (2 brackets, nuts and bolts) | 86029 |
| C5 stair climber kit (includes stair climber with polymer glide strip, brackets, spacers and hardware) | 86432 |
| C6 adjustable stair climber kit | 304260 |
| C6 wear strip ONLY | 304223 |
| C6 stair climber support; without wear strip | 304252 |
| Hi-U 60" frame extension only with foam sleeve | 40010F |
| Hi-U 68" frame extension only with foam sleeve | 40011F |
| Extractor Handle Kit (includes handles, brackets, and mounting hardware) | 304174 |
| Wheel guard kit - includes two 9-3/4" H x 3-3/4" W guards and hardware | 302520 |

Magline, Inc.

1205 W. Cedar Street • Standish, MI 48658 USA
 1-800-MAGLINE (624-5463) • (989) 512-1000 (outside U.S. & Canada)
www.magliner.com