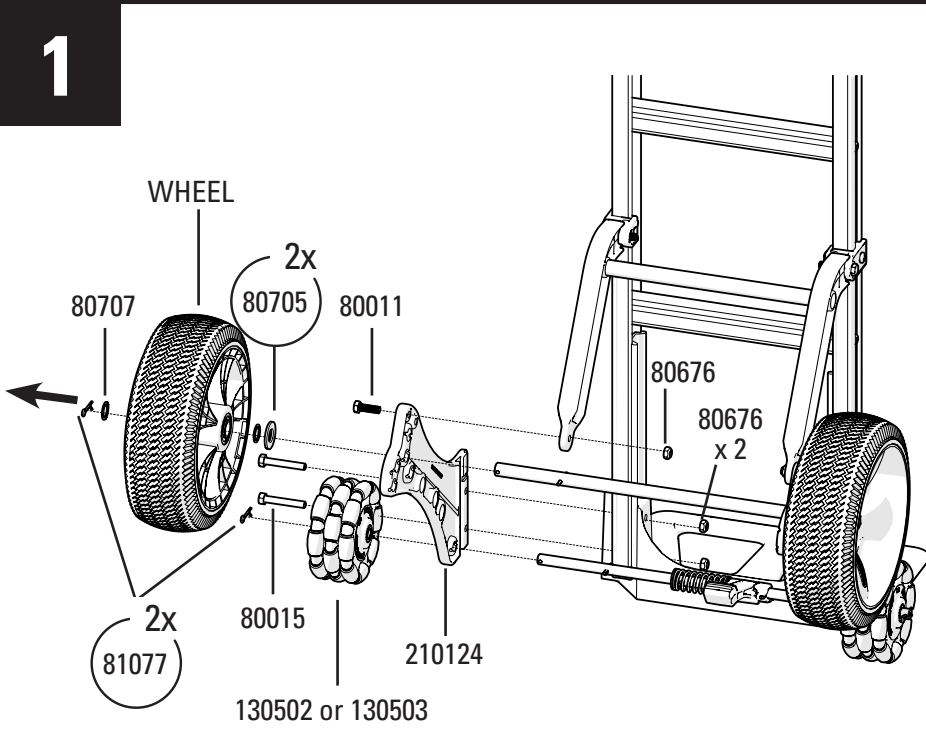


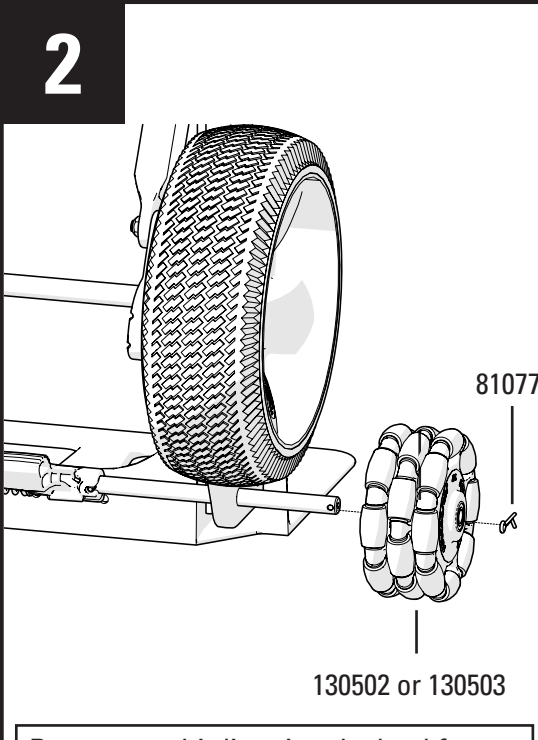
# SELF-STABILIZING TRUCK KICKSTAND ASSEMBLY

Description	Qty.	Part No.
Kickstand/Multi-Directional Wheel Pack consists of items below:		
Kickstand axle	1	Varies
Roll pins for kickstand axle	2	81103
Kickstand lever assembly	1	302991
Kickstand cam	1	302995
Kickstand spring	1	302996
1/2" washer - thick	2	80782
Nylon washer - 1/2" x 1" x 1/16"	1	80171
1/2" washer - thin	2	80783
Cotter pin for wheel axle - 1/8" x 1" long	2	81077

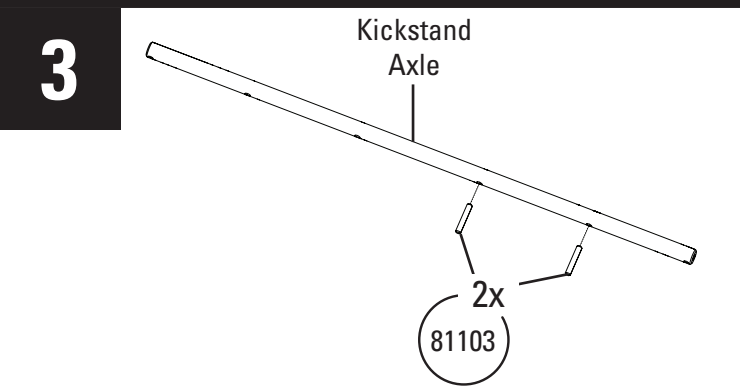
- TOOLS REQUIRED**
- (2) 1/2" COMBINATION WRENCH OR SOCKET
  - (1) HAMMER
  - (1) PLIERS



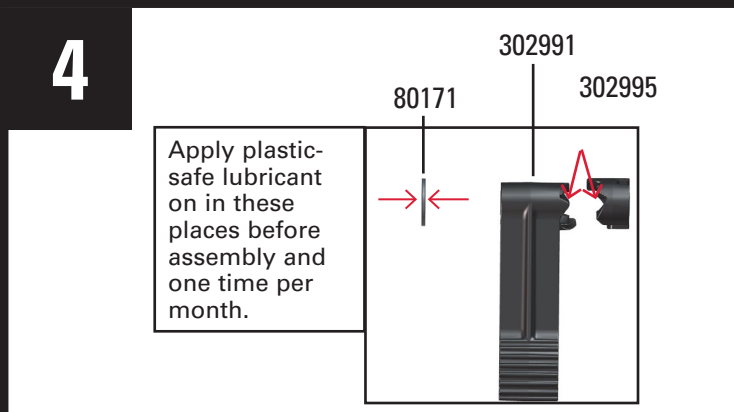
Remove wheels and wheel bracket from one side of truck.



Remove multi-directional wheel from other side of truck.

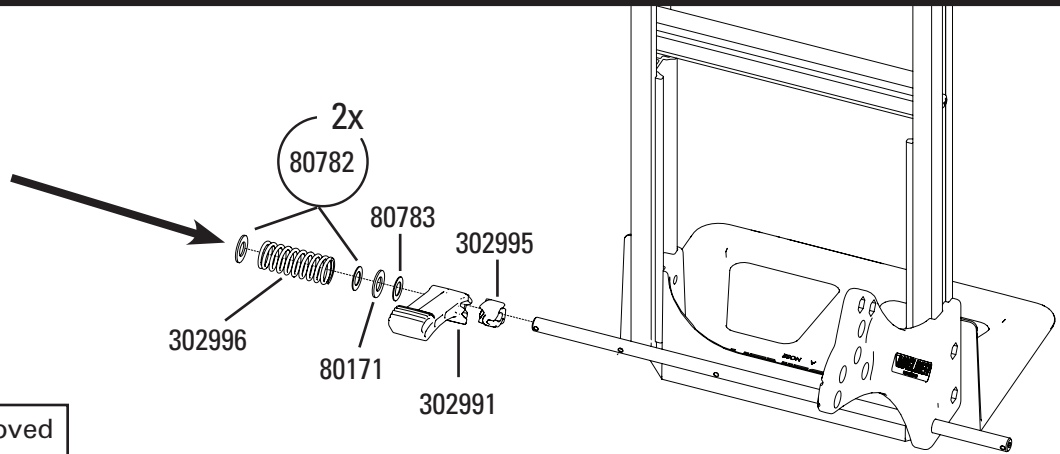


Center roll pins on new axle, in holes shown.



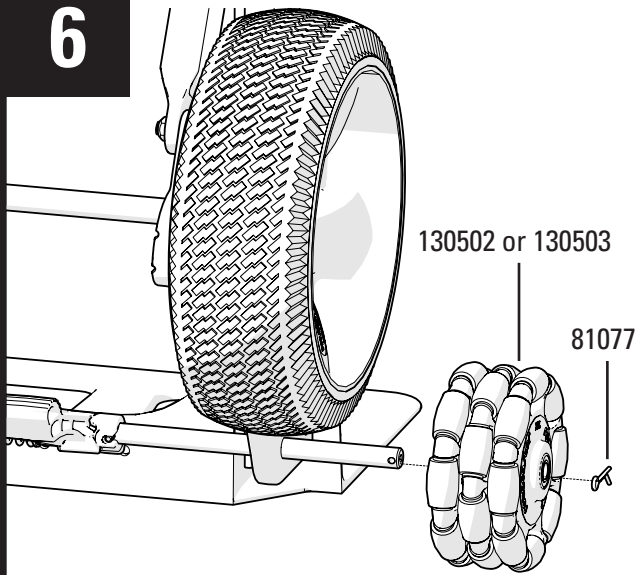
Apply plastic-safe lubricant on in these places before assembly and one time per month.

5



Some components removed from image for clarity.

6



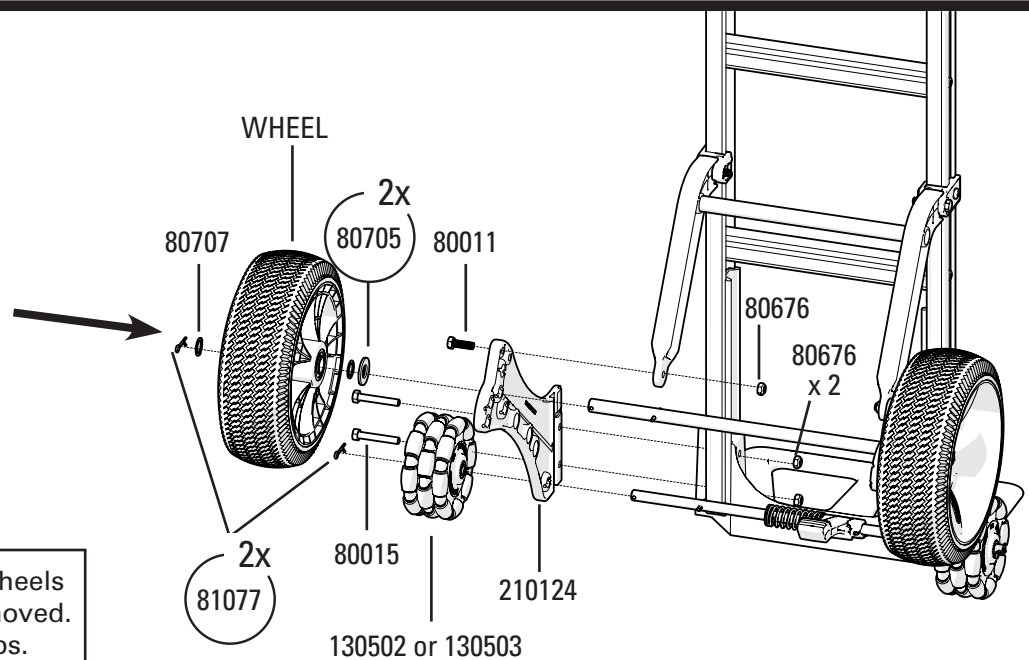
Replace multi-directional wheel as shown.

**IMPORTANT NOTES:**

- Be sure to orient the multi-directional wheel so that the text/logo faces AWAY from the frame.
- Use the optimal number of extra washers in the kit to minimize side-to-side movement of the wheel on the axle which may vary slightly from diagram.

Multi-Directional Wheel	Part Number
Double row	130502
Triple row	130503

7



Replace wheel bracket and wheels that had previously been removed. Tighten bolts to 100-120 in.-lbs.

**Magline, Inc.**

1205 W. Cedar Street • Standish, MI 48658 USA  
 1-800-MAGLINE (624-5463) • (989) 512-1000 (outside U.S. & Canada)  
 www.magliner.com