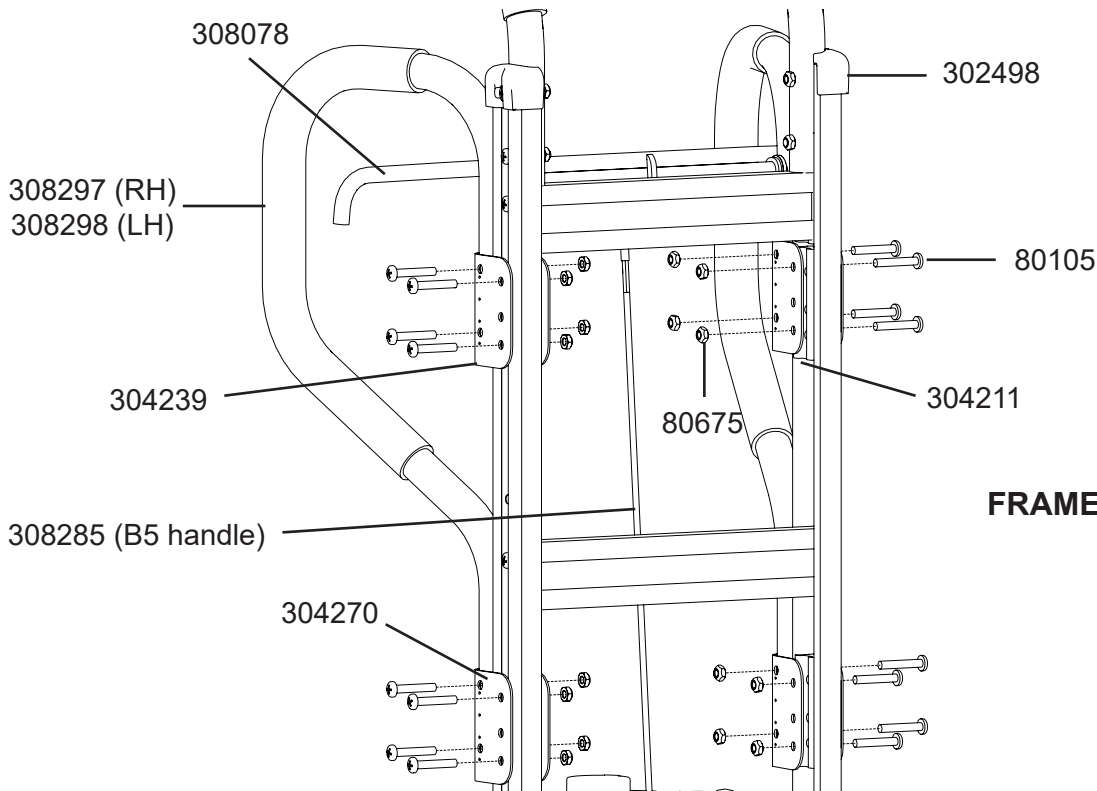
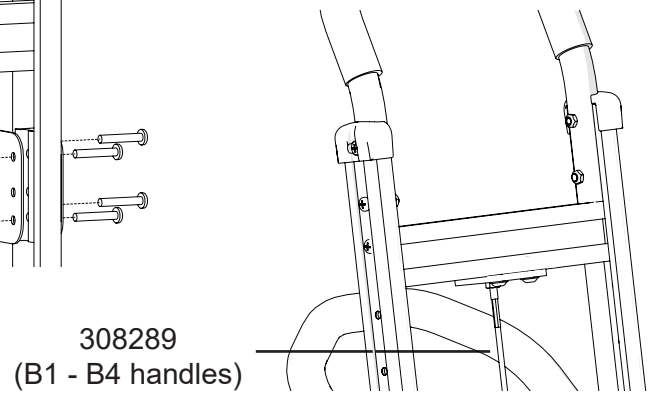


APPLIANCE TRUCK PART DIAGRAMS

FULL RELEASE HANDLE



FRAME RELEASE HANDLES



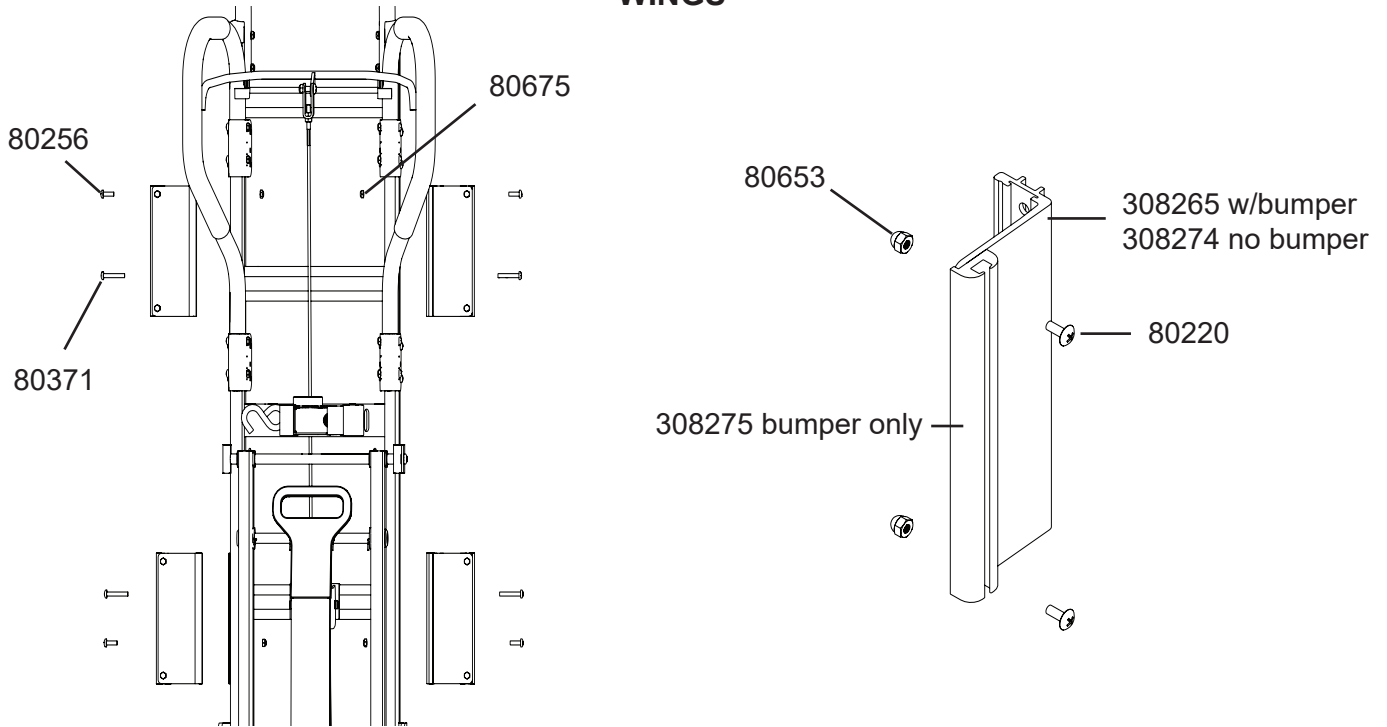
| Handle Description | Part Number |
|----------------------------------------------------------------------------|-------------|
| B1 - Adjustable vertical loop handle | 304200 |
| B2 - Adjustable ergo loop handle | 304205 |
| B3 - Adjustable shepherd hook - non-release lever (two required per truck) | 304210 |
| B4 - Adjustable double pistol grip handle | 304245 |
| B5 - Adjustable shepherd hook - for release lever - LH | 308298 |
| B5 - Adjustable shepherd hook - for release lever - RH | 308297 |

TOOLS REQUIRED

- (1) #3 PHILLIPS SCREWDRIVER
- (1) 7/16" WRENCH

| Part Description | Part Number |
|------------------------------------------------|-------------|
| Frame - 59" | 308296 |
| 4th wheel release/retract weldment | 308078 |
| Side rail end cap | 302498 |
| Spacer for handle shepherd hook | 304211 |
| Upper cable assembly | 308285 |
| Plug for handle | 304270 |
| Handle bracket | 304239 |
| Pan head machine screw - 1/4"-20 x 1-1/2" long | 80105 |
| Hex lock nut - 1/4"-20 | 80675 |

WINGS



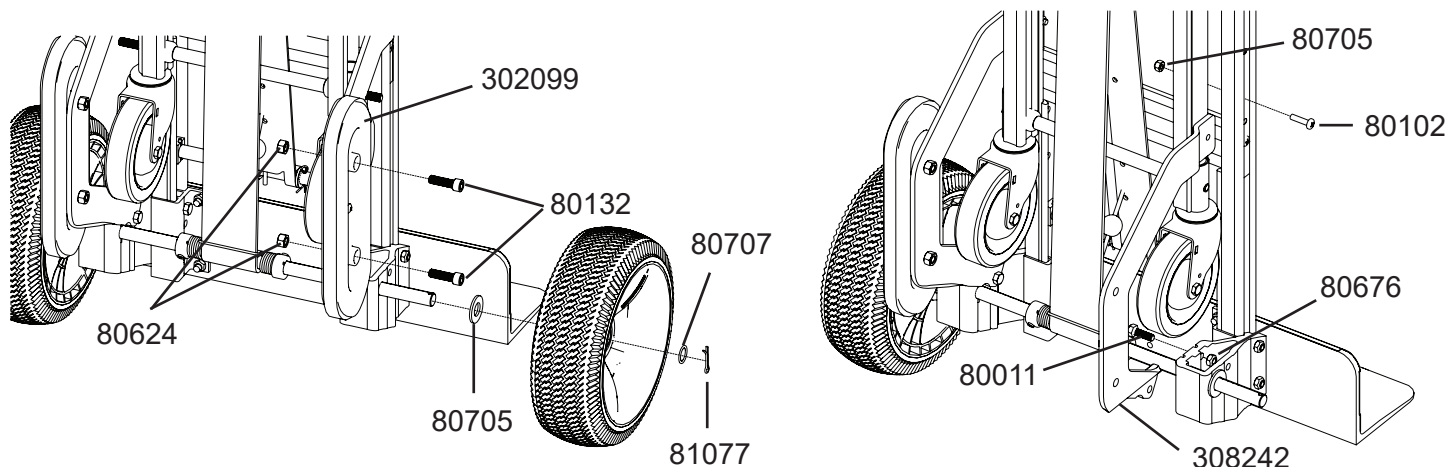
| Complete Wing Kit | Part Number |
|---------------------------------------------------------------|-------------|
| Complete wing kit - includes wings with bumpers & hardware | 3082660 |
| Complete wing kit - includes wings with no bumpers & hardware | 308267 |

TOOLS REQUIRED

- (1) #3 PHILLIPS SCREWDRIVER
- (1) 7/16" WRENCH
- (1) 3/8" WRENCH

| Part Description | Part Number |
|-------------------------------------------------------|-------------|
| Wing without bumper | 308274 |
| Wing with bumper | 308265 |
| Bumper | 308275 |
| Truss head screw - 10-32 x 1/2" long | 80220 |
| Acorn nut - 10-32 | 80653 |
| Pan head thread forming screw - 1/4"-20 x 1-1/2" long | 80371 |
| Truss head screw - #10-32 x 1/2" long | 80220 |
| Acorn nut - #10-32 | 80653 |
| Pan head machine screw - 1/4"-20 x 3/4" long | 80256 |
| Hex lock nut - 1/4"-20 | 80675 |

WHEELS, STAIR CRAWLER



| Part Description | Part Number |
|------------------|-------------|
| 10" wheel | Varies |
| Cotter pin | 81077 |
| Washer - thin | 80707 |
| Washer - thick | 80705 |

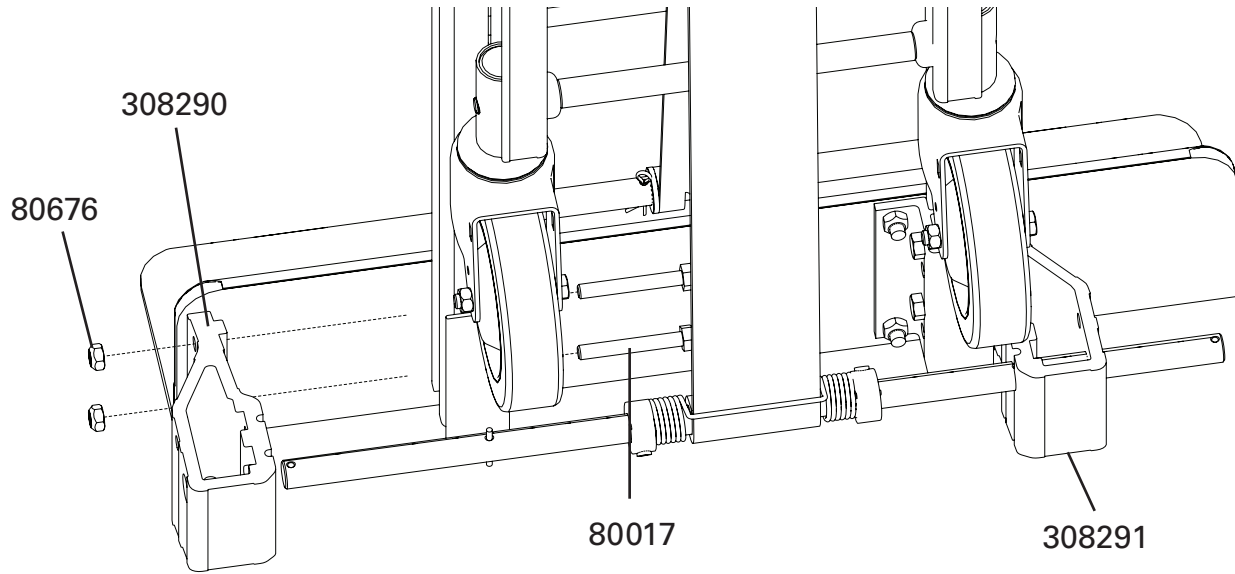
| Complete Stair Crawler Kit | Part Number |
|---------------------------------|-------------|
| Stair crawler kit with hardware | 308261 |

TOOLS REQUIRED

- (1) #3 PHILLIPS SCREWDRIVER
- (1) 7/16" WRENCH
- (1) 3/8" WRENCH
- (1) NEED NOSE PLIERS

| Complete Stair Crawler Kit | Part Number |
|--------------------------------------------------------------|-------------|
| Stair crawler kit with hardware <i>includes parts below:</i> | 308261 |
| Stair crawler mount - RH | 308242 |
| Stair crawler mount - LH | 308243 |
| Stair crawler assembly | 302099 |
| Hex head cap screw - 3/8"-16 x 1-1/4" long | 80026 |
| Lock nut with flange - 3/8"-16 | 80624 |
| Hex lock nut - 1/4"-20 | 80675 |
| Hex lock nut - 5/16"-18 | 80676 |
| Hex head cap screw - 5/16"-18 x 1" long | 80011 |
| Pan head machine screw - 1/4"-20 x 1" long | 80102 |

WHEEL BRACKET

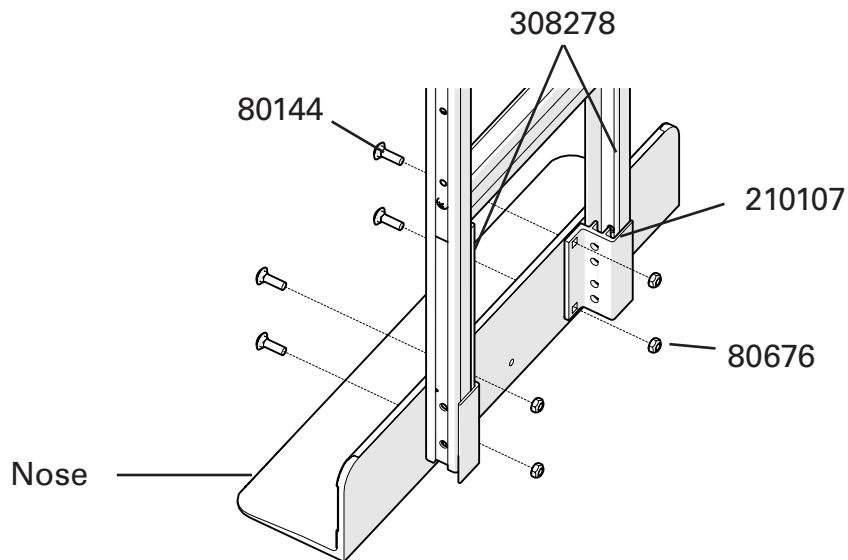


| Part Description | Part Number |
|---------------------------------------------|-------------|
| Wheel bracket - LH | 308290 |
| Wheel bracket - RH | 308291 |
| Hex head cap screw - 5/16"-18 x 2-1/4" long | 80017 |
| Hex lock nut - 5/16"-18 | 80676 |

TOOLS REQUIRED

- (2) 1/2" WRENCHES

NOSE

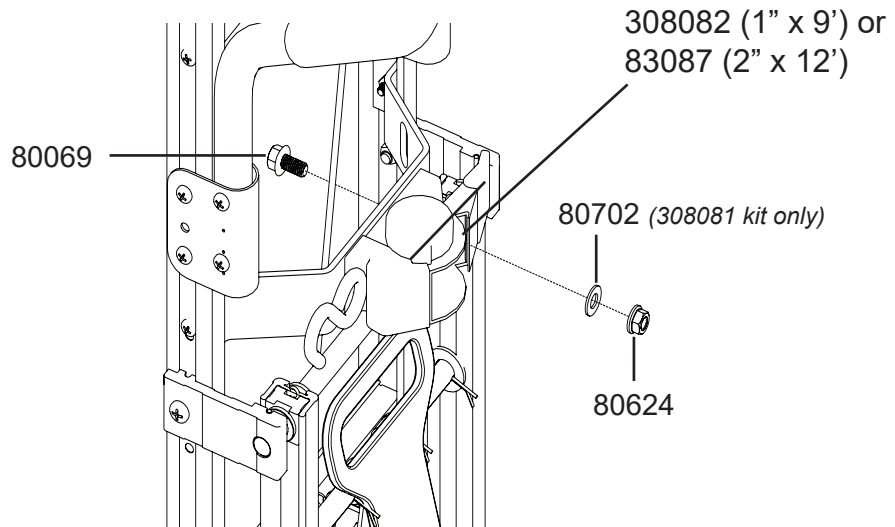


| Part Description | Part Number |
|------------------------------------|-------------|
| Nose - extruded aluminum or steel | Varies |
| Nose mounting bracket | 210107 |
| Carriage bolt - 5/16"-18 x 1" long | 80144 |
| Hex lock nut - 5/16"-18 | 80676 |
| Side channel reinforcement | 308278 |

TOOLS REQUIRED

- (1) 1/2" SOCKET WRENCH

SELF-RETRACTING RATCHET STRAP



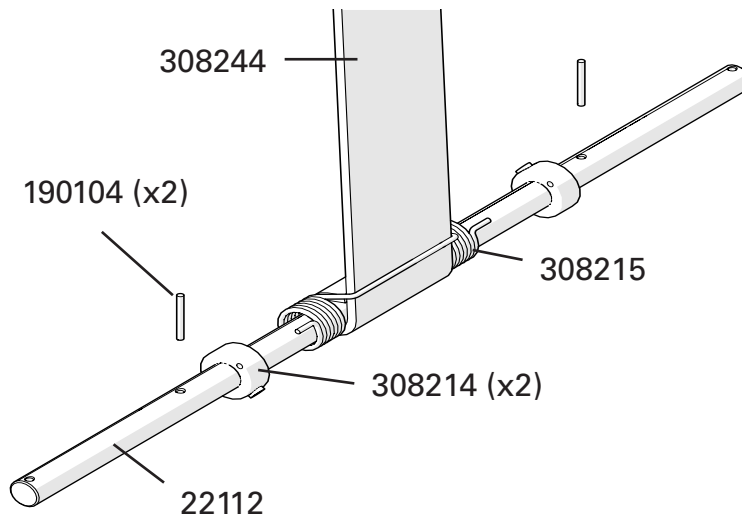
| Complete Strap Kit | Part Number |
|----------------------------------------------|-------------|
| Strap kit with hardware - 1" wide x 9' long | 308081 |
| Strap kit with hardware - 2" wide x 12' long | 830871 |

TOOLS REQUIRED

- (1) #3 PHILLIPS SCREWDRIVER
- (2) 9/16" WRENCHES

| Part Description | Part Number |
|------------------------------------------------------|-------------|
| Ratchet strap - 2" w x 12' long | 83087 |
| Hex head cap screw with flange - 3/8"-16 x 3/4" long | 80069 |
| Hex lock nut with flange - 3/8"-16 | 80624 |
| Washer - 3/8" | 80702 |

BREAK BACK BAR

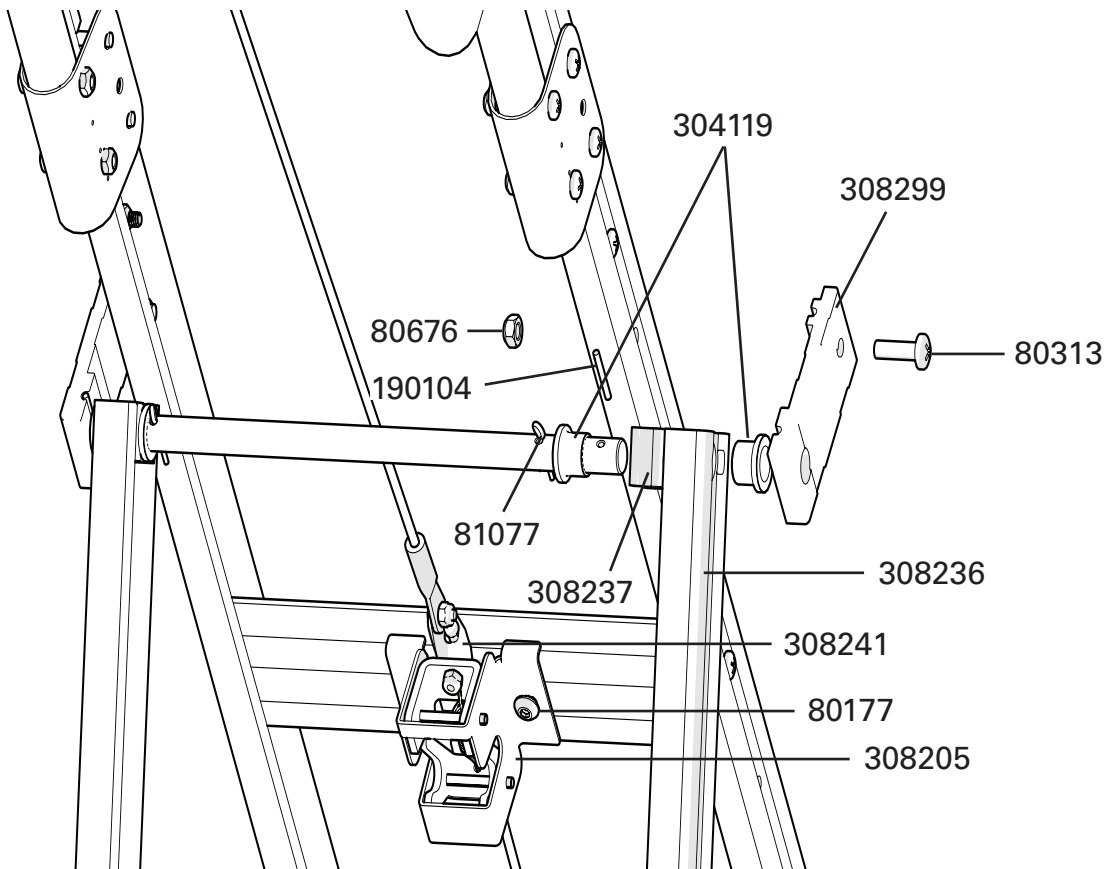


| Part Description | Part Number |
|-------------------------------|-------------|
| Break back bar | 308244 |
| Roll pin - 1/8" x 1-1/8" long | 190104 |
| Axle - 20.375" long | 22122 |
| Shaft collar | 308214 |
| Double torsion spring | 308215 |

TOOLS REQUIRED

- (1) HAMMER
- (1) PLIERS

4TH WHEEL ATTACHMENT - UPPER

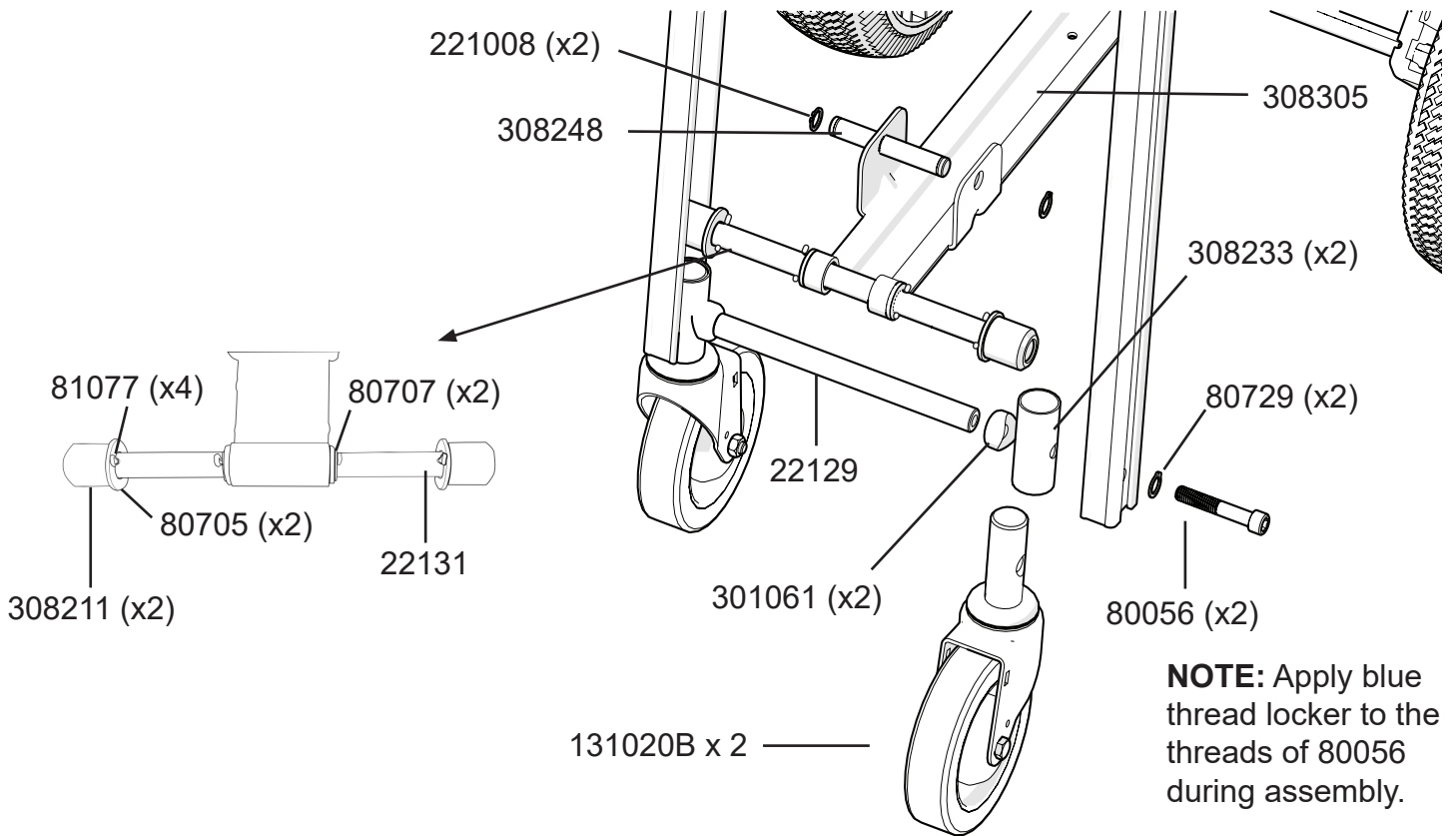


| Part Description | Part Number |
|---------------------------------------------------|-------------|
| Flanged bearing - 3/4" OD x 5/8" ID | 304119 |
| Pivot bracket | 308299 |
| Pan head cross recess screw - 5/16"-18 x 1" long | 80313 |
| 4th wheel attachment side rail | 308236 |
| Twist link | 308241 |
| Hex socket button head screw - 5/16"-18 x 1" long | 80177 |
| Frame latch assembly | 308205 |
| Pivot block spacer | 308237 |
| Cotter pin - 1/8" x 1-1/8" long | 81077 |
| Roll pin - 1/8" x 1-1/8" long | 190104 |
| Hex lock nut - 5/16"-18 | 80676 |

TOOLS REQUIRED

- (1) #3 PHILLIPS SCREWDRIVER
- (1) 1/2" WRENCH
- (1) 3/16" ALLEN WRENCH

4TH WHEEL ATTACHMENT - LOWER



| Part Description | Part Number |
|--------------------------------------------------------|-------------|
| Brace arm with bearings | 308305 |
| Snap ring | 221008 |
| Caster shim | 308233 |
| Hex socket head screw - 3/8"-16 x 2-1/4" long | 80056 |
| Spring lock washer for 3/8" screw | 80729 |
| Caster assembly with brake - 5" diameter x 1-1/4" wide | 131020B |
| Load support bolt spacer | 301061 |
| Axle for 4th wheel attachment | 22129 |
| Latch bar | 308248 |
| Cotter pin - 1/8" x 1-1/8" long | 81077 |
| Thick washer | 80705 |
| Thin washer | 80707 |
| Roller for rear caster assembly | 308211 |
| Axle for top pivot | 22131 |

TOOLS REQUIRED

- (1) NEEDLE NOSE PLIERS
- (1) 7/32" ALLEN WRENCH

Magline, Inc.

1205 W. Cedar Street • Standish, MI 48658 USA
 1-800-MAGLINE (624-5463) • (989) 512-1000 (outside U.S. & Canada)

www.magliner.com

Form # B9468 REV 07/22
 © Copyright 2020-2022 Magline, Inc.