

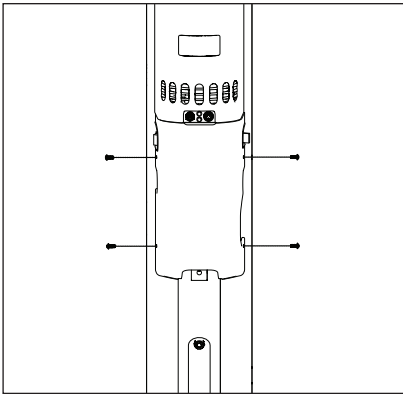
## LIFTPLUS® HANDLE BAR INSTALLATION

Item	Description	Part Number
Handle Bar Kit (includes items below)		86078
A	Handle bar grip	532144
B	Handle bar	532126
C	Pan head screw - 3/8"-16 x 1" long	80355
D	Lock washer - 3/8"	80753

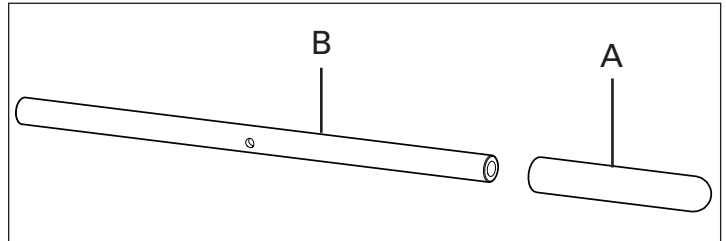
### TOOLS REQUIRED

- (1) #3 PHILLIPS SCREWDRIVER
- (1) HEX WRENCH (PROVIDED WITH KIT)
- (1) MALLET

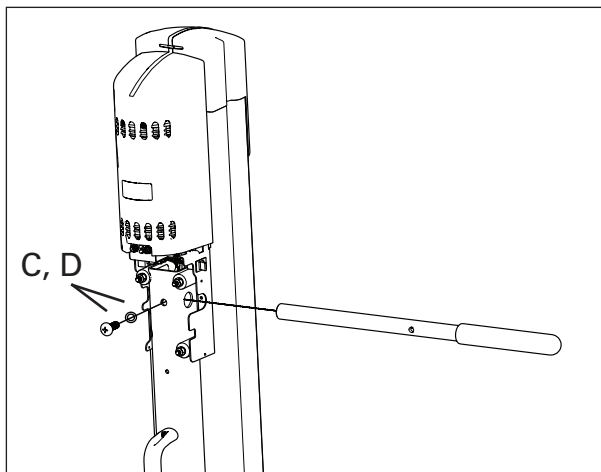
1. Remove motor cover (hex wrench).



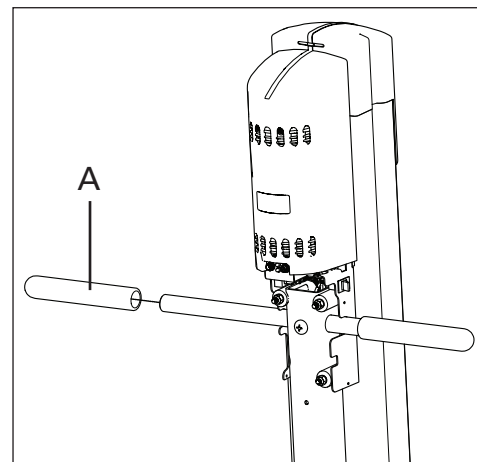
2. Slide handle bar grip onto one side of the handle bar. You may need a mallet to do so.



3. Insert handle bar through holes as shown below. Secure with screw and lock washer (#3 Phillips screwdriver).



4. Slide the second handle bar grip onto the handle bar. You may need a mallet to do so.



5. Reinstall motor cover (hex wrench).

