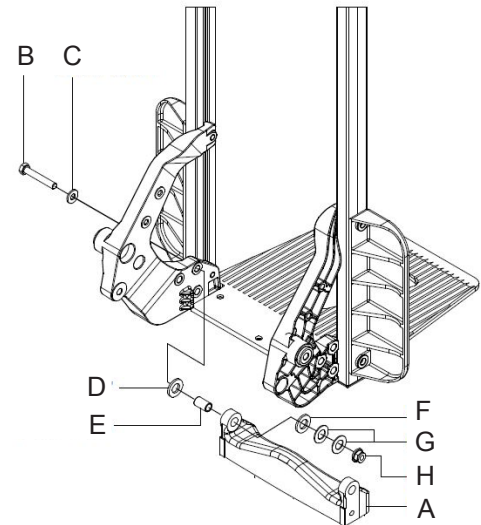


HINGED NOSE MOUNTING BRACKET KIT FOR POWERED STAIR CLIMBER

Item	Description	Qty.	Part No.
Nose Mounting Bracket Kit - FOLDING NOSE			930104K
A	Nose bracket (used for hinged and fixed noses)	1	030019
B	M8 x 50mm bolt, partially threaded	2	030635
C	Washer for M8 bolt	2	030622
D	Washer for M8 bolt	2	055027
E	Pivot spacer	2	030033
F	Nylon washer - 8mm	2	030636
G	Wave spring washer for M8 bolt	4	030637
H	Flanged lock nut for M8 bolt	2	030628

hinged



FIXED NOSE MOUNTING BRACKET KIT FOR POWERED STAIR CLIMBER

Item	Description	Qty.	Part No.
Nose Mounting Bracket Kit - FIXED NOSES			930197K
A	Nose bracket (used for hinged and fixed noses)	1	030019
B	M8 x 50mm bolt, partially threaded	2	030635
C	Washer for M8 bolt	4	030622
D	Washer for M8 bolt	4	055027
E	Pivot spacer	2	030033
F	Nylon washer - 8mm	2	030636
G	Wave spring washer for M8 bolt	4	030637
H	Flanged lock nut for M8 bolt	2	030628
I	M8 x 35mm bolt	2	930653

fixed

