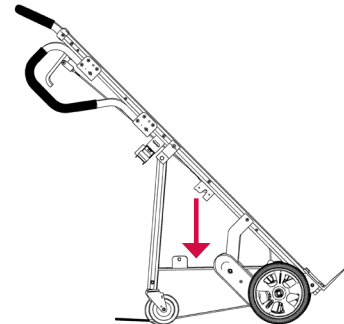
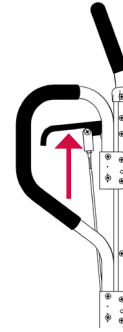


APPLIANCE TRUCK 4TH WHEEL ATTACHMENT INSTRUCTIONS

Handled-Mounted Release

To Activate the 4th Wheel Attachment:

1. Pull down and stand firmly on the break back bar.
2. Before breaking back the load, squeeze the release lever upward toward handle and hold.
3. While standing on the break back bar, break the appliance truck back safely.
4. The 4th wheel attachment will unfold to support the truck in incline position.



The pivoting center brace must be completely at the end of its travel before the truck can fully support the load!

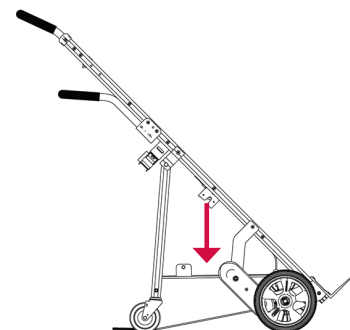
Handle-Mounted Retract:

1. Stand firmly on the break back bar.
2. Carefully place appliance truck in upright position.
3. Quickly squeeze lever upwards toward the handle.
4. Once the 4th wheel attachment is folded to home position, release the break back bar to stow in upright position.

Frame-Mounted Release

To Activate the 4th Wheel Attachment:

1. Pull down and stand firmly on the break back bar.
2. Before breaking back the load, pull the release cable in toward you.
3. While standing on the break back bar, break the appliance truck back safely.
4. The 4th wheel attachment will unfold to support the truck in incline position.



The pivoting center brace must be completely at the end of its travel before the truck can fully support the load!

www.youtube.com/maglineinc

www.magliner.com

 **MAGLINER**®