

Frame Locking Pin Installation Instructions

TOOLS REQUIRED

- (1) 9/16" OPEN END WRENCH

Installation Instructions

1. Place the Gemini in the 2-wheel position with the B-handle folded and latched against the frame.
2. If not already done, thread the jam nut all the way onto the new latch pin (see Figure 2).
3. Pull and turn the knob to lock the new latch pin in its retracted position (see Figure 3).
4. Thread the new latch pin into the pivot socket until it touches the B-handle inside the pivot socket.
5. Unscrew the new latch pin one full turn. Failure to do so will inhibit proper operation of the B-handle.
6. Tighten the jam nut on the new latch pin with the 9/16" open wrench.
7. Check to be sure the new latch pin properly operates.

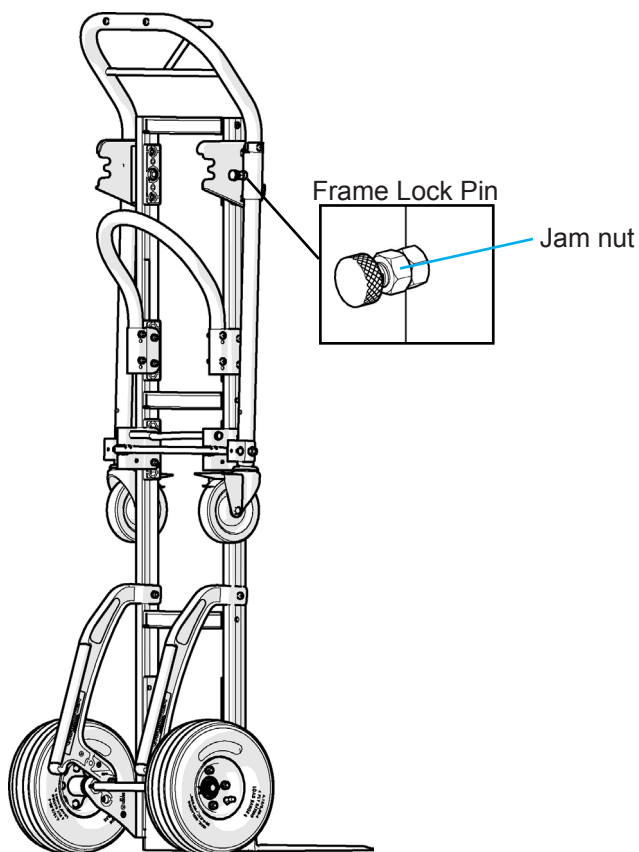


Figure 1

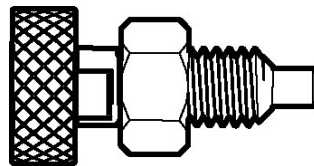


Figure 2

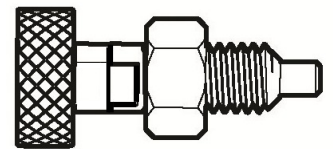


Figure 3