

# REPLACING THE SWITCH PLATE WITH PRE-INSTALLED CHARGER PORT

## PARTS LIST

Item	Description	Qty	Part Number
A	Switch plate full assembly for units with battery meter (includes switch plate with all wiring harnesses installed) - <b>use only for Coolift units with serial numbers 4000 and higher or if your Coolift has a battery meter</b>	1	309352

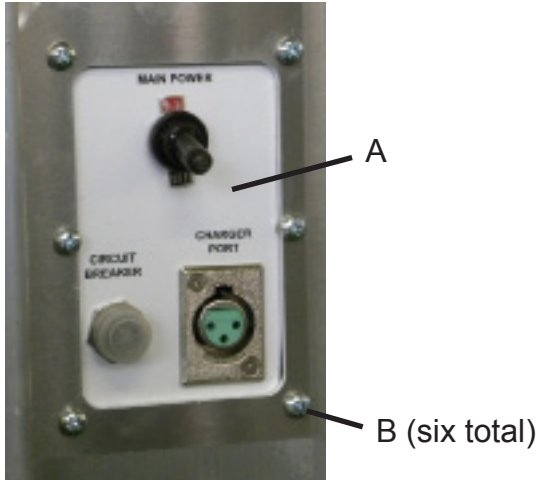


Figure 1

### TOOLS REQUIRED

- (1) #2 PHILLIPS SCREWDRIVER
- (1) #3 PHILLIPS SCREWDRIVER
- MEDIUM SIZE STRAIGHT BLADE SCREWDRIVER
- SLIP JOINT PLIERS
- 10MM WRENCH (NOT A SOCKET AND RATCHET WRENCH)
- 13MM WRENCH (NOT A SOCKET AND RATCHET WRENCH)
- 14MM WRENCH (NOT A SOCKET AND RATCHET WRENCH)
- 17MM WRENCH (NOT A SOCKET & RATCHET WRENCH)

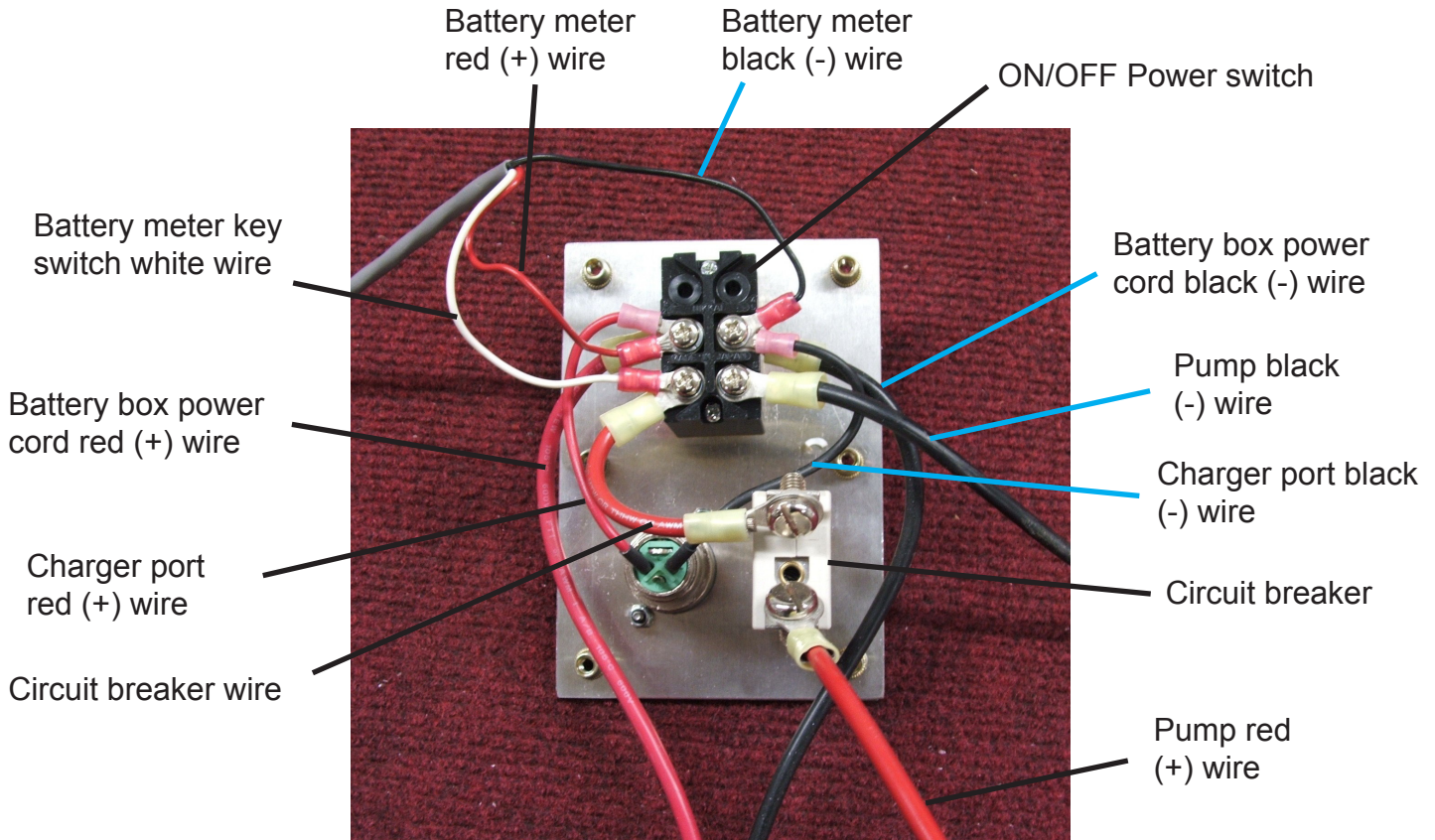


Figure 2

# REPLACING THE SWITCH PLATE WITH PRE-INSTALLED CHARGER PORT

**Note:** It is important to keep the Coolift upright at all times.

1. Place the Coolift on a level flooring surface.
2. Engage the holding brake.
3. Turn off the main power switch.
4. Remove the battery box (see Replacing Battery Box in the Coolift Service Manual) through and including step 7, unplugging the battery box from the Coolift.
5. Using a #2 Phillips screwdriver, remove the six screws (B) securing the switch plate assembly to the inside of the Coolift enclosure. Carefully move the switch plate assembly inward and towards the enclosure rear opening; save the screws.
6. Disconnect the red (+) and black (-) wires from the pump using the 10mm and 13mm wrenches.
7. The battery meter must be removed to disconnect it from the switch plate. To release the battery meter from the Coolift enclosure, reach underneath the enclosure and find the tabs located on both sides of the meter (see Figure 3, below). Squeeze the tabs inward and ease the battery meter upward and out of the enclosure.
8. Disconnect the red wire (+) from the BATTERY (+) terminal of the battery meter.
9. Disconnect the black wire (-) from the BATTERY (-) terminal of the battery meter.
10. Disconnect the white wire from the KEYSWITCH terminal of the battery meter.
11. Check to be sure that the rubber gasket is still in place on the battery meter.
12. Connect the black wire (-) to the BATTERY (-) terminal of the battery meter (see Figure 4).
13. Connect the white wire to the KEYSWITCH terminal of the battery meter (see Figure 4).
14. Connect the red wire (+) to the BATTERY (+) terminal of the battery meter (see Figure 4).
15. Snap the meter back into place in the enclosure shelf, making sure that the battery indicator label is at the top of the meter (see Figure 5).
16. Connect the red (+) and black (-) wires to pump connections using the 10mm and 13mm wrenches.
17. Recheck all connections for correct wiring placement and tightness.
18. Carefully place the switch plate assembly over the switch plate opening in the Coolift enclosure. Thread in all six screws (B) and securely tighten using the #2 Phillips screwdriver.
19. Reinstall the battery box (see Replacing the Battery Box).

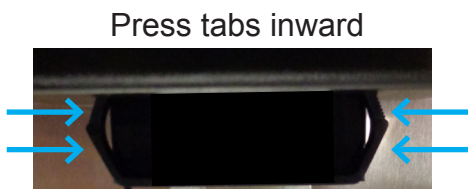


Figure 3

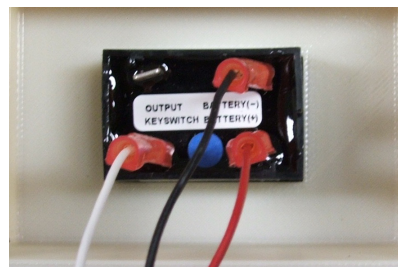


Figure 4



Figure 5