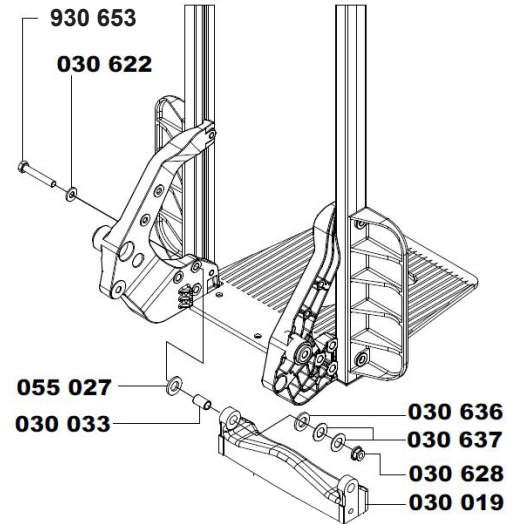


NOSE MOUNTING BRACKET KIT FOR POWERED STAIR CLIMBER

Item	Description	Qty.	Part No.
Nose Mounting Bracket Kit			930104K
1	Nose bracket (used for hinged and fixed noses)	1	030019
2	M8 bolt	2	930653
3	Washer for M8 bolt	2	030622
4	Washer for M8 bolt	2	055027
5	Pivot spacer	2	030033
6	Nylon washer - 8mm	2	030636
7	Wave spring washer for M8 bolt	4	030637
8	Flanged lock nut for M8 bolt	2	030628

Please note - to convert this nose to a fixed nose, 930197K hardware exchange kit must be ordered (not included).

hinged



Magline, Inc., 1205 West Cedar Street, Standish, MI 48658 • (800) 624-5463 • (989) 512-1000

© Copyright 2018-2019 Magline, Inc. B9397

MAGLINER®